



# Product Data Sheet

## ThermoPower VDF

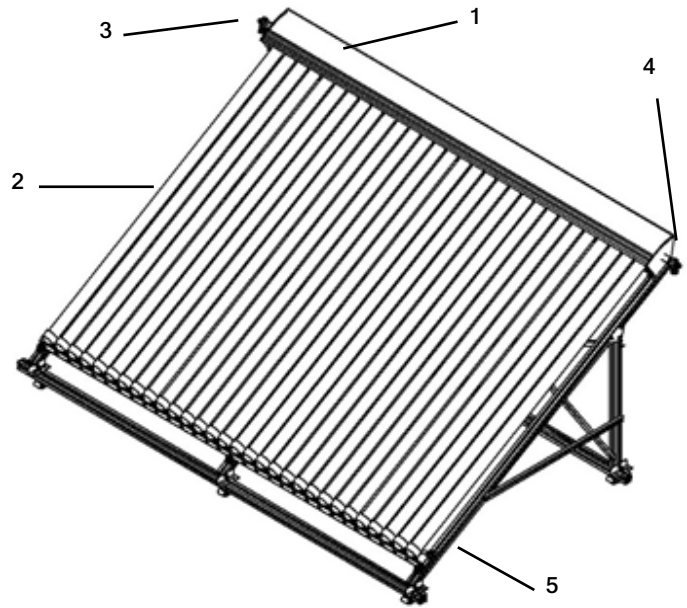
### Technical Details

Model:	ThermoPower VDF Series
Tube Length:	59"
Outer Tube Diameter:	1.46"
Inner Tube Diameter:	1.36"
Tube Thickness:	0.1"
Tube Material:	Borosilicate Glass
Tube Coating:	Al-N/Al
Thermal Expansion:	3.3x10 <sup>-6</sup>
Coating Absorbance:	>94%
Coat Emissivity:	<7%
Vacuum:	P < 5x10 <sup>-3</sup> Pa
Heat Loss:	< 0.7W/m2.0C
Maximum Strength:	1.0 MPa
Flow Rate:	0.02 GPM/tube
Tilt Angles:	0-90o
Orientation:	Portrait
Max of Tubes in series:	300
Operating Pressure:	20-70 psi
Maximum Pressure:	150 psi
Stagnation Temperature:	>428 0F
Heat Transfer Fluid:	Water
Heat Transfer Method:	Direct Flow Pipe
Manifold Socket:	Soldered Dry Socket
Glass to Metal Seal Type:	Hermetic
Fittings:	1/2" NPT

SRCC Certified

Solar Keymark Certified

10 years Warranty when installed by certified installer



1. Manifold
2. Double Wall Vacuum Tube
3. 1/2" Male NPT Brass Connection
4. Temperature Sensor Well
5. Free Standing Extruded Aluminum Frame



SunMaxx Solar  
 5098 NY 206  
 Bainbridge, NY 13733  
 P: 1.877.786.6299  
 F: 1.800.786.0329  
[www.SunMaxxSolar.com](http://www.SunMaxxSolar.com)



# Product Data Sheet

## ThermoPower VDF

### Technical Details

Model:	VDF 20	VDF 30
Dimensions:	60.0 x 64.7 in	87.4 x 64.7 in
Gross Area:	2.50 m <sup>2</sup> / 26.95 ft <sup>2</sup>	3.65 m <sup>2</sup> / 39.33 ft <sup>2</sup>
Net Aperture Area:	1.79 m <sup>2</sup> / 19.26 ft <sup>2</sup>	2.68 m <sup>2</sup> / 28.84 ft <sup>2</sup>
Absorber Area:	1.060 m <sup>2</sup> / 11.41 ft <sup>2</sup>	1.59 m <sup>2</sup> / 17.12 ft <sup>2</sup>
Weight:	52.16kg / 115 lbs	77.1 kg / 170 lbs
Fluid Capacity:	1.89L / 0.5 gal	2.65L / 0.7 gal
Rated Flow Rate:	0.4 gpm	0.6 gpm
Minimum Flow Rate:	0.2 gpm	0.3 gpm
Maximum Flow Rate:	3 gpm	3.4 gpm
Storage Tank Size:	30-40 gal	50-60 gal
SRCC Clear C Rating:	22.8 kBTU/panel/day	33.7 kBTU/panel/day

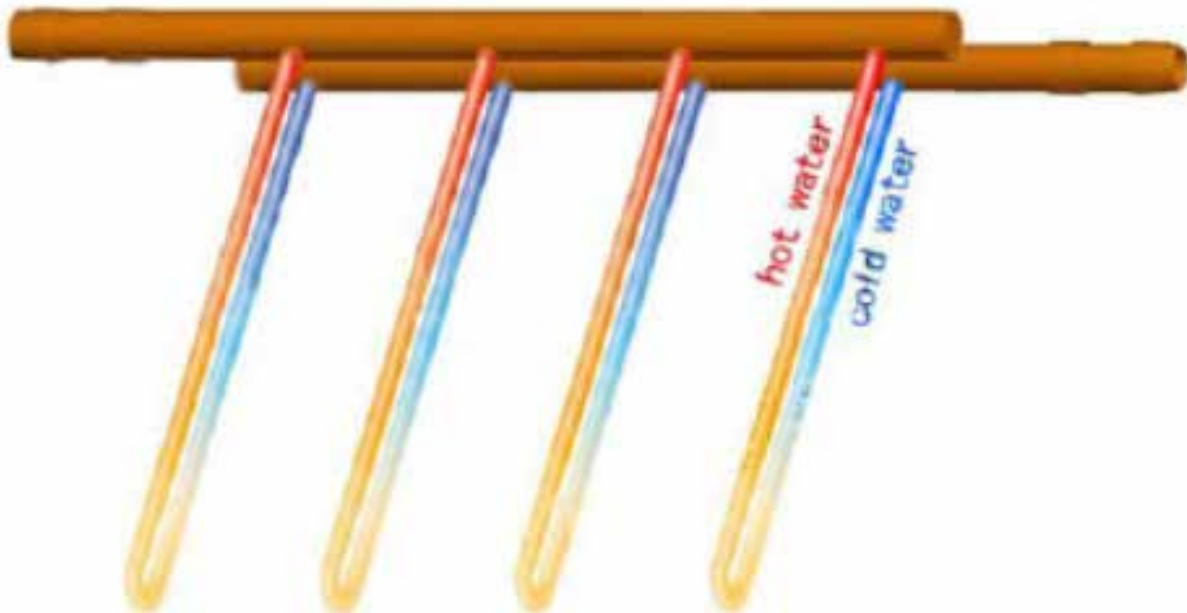
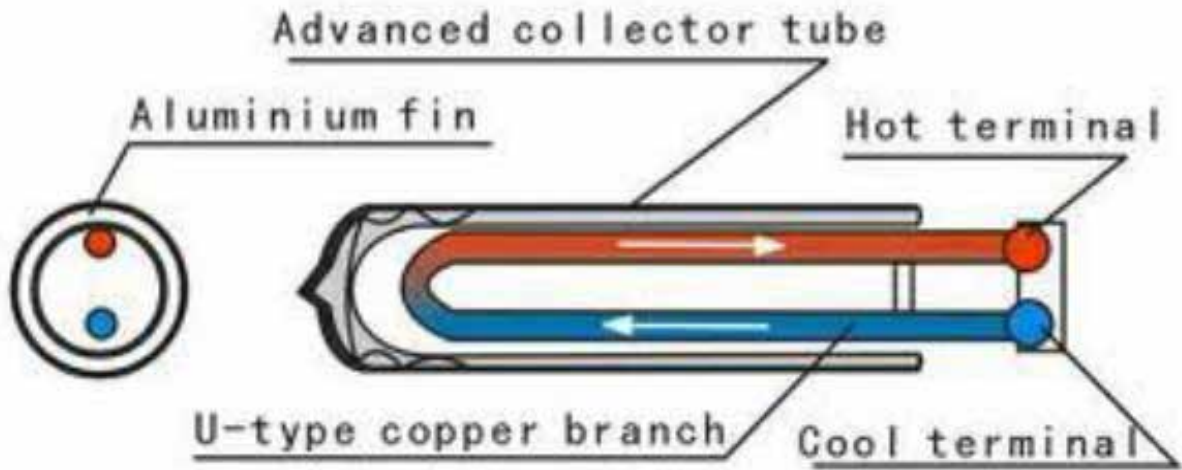


SunMaxx Solar  
 5098 NY 206  
 Bainbridge, NY 13733  
 P: 1.877.786.6299  
 F: 1.800.786.0329  
[www.SunMaxxSolar.com](http://www.SunMaxxSolar.com)



# Product Data Sheet

## ThermoPower VDF



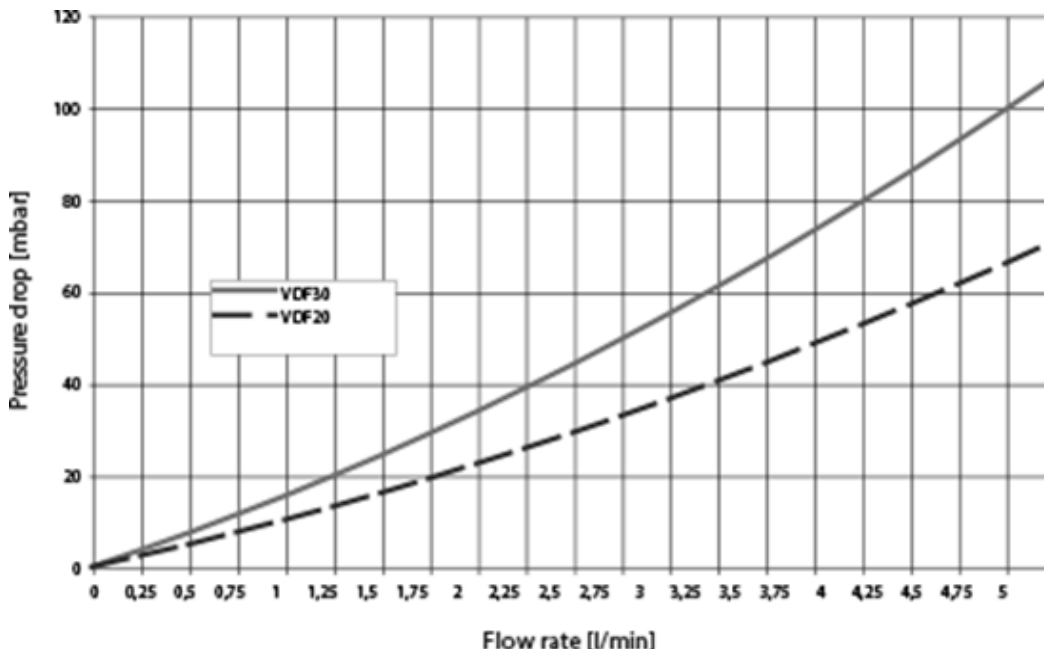
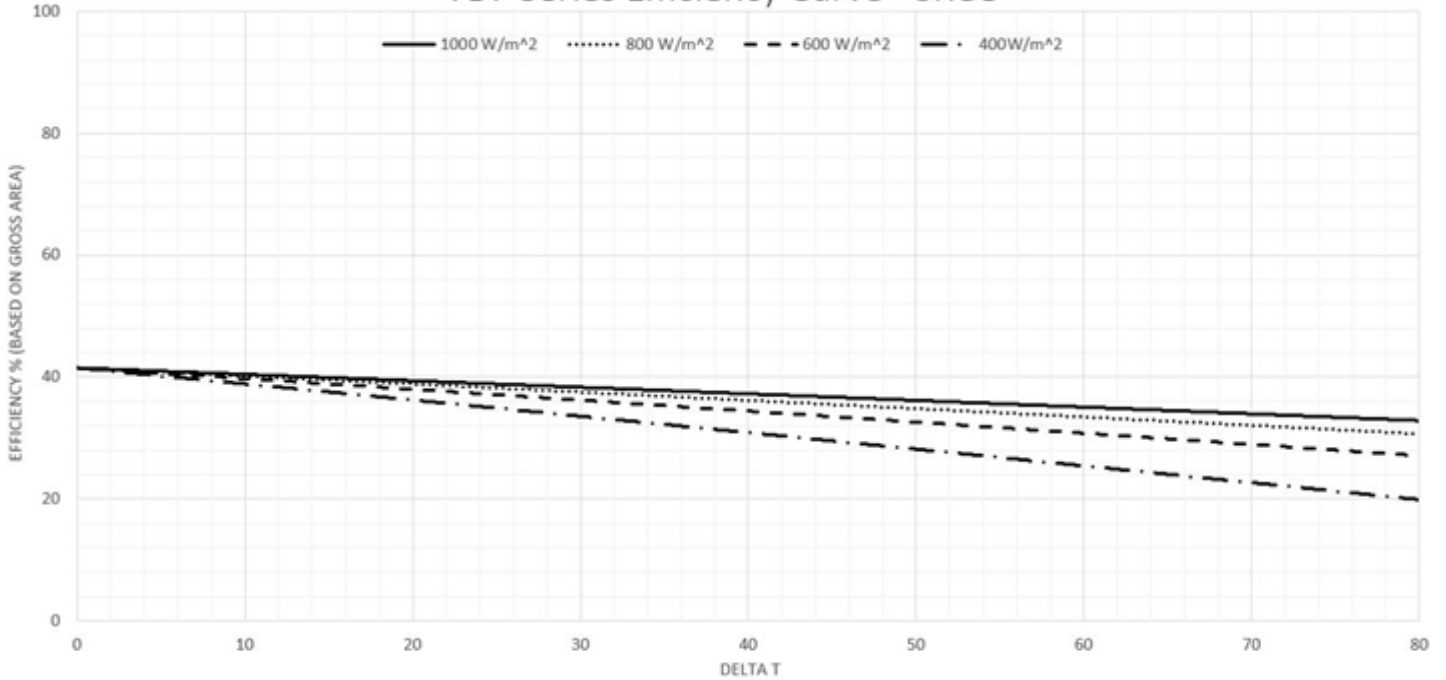
SunMaxx Solar  
5098 NY 206  
Bainbridge, NY 13733  
P: 1.877.786.6299  
F: 1.800.786.0329  
[www.SunMaxxSolar.com](http://www.SunMaxxSolar.com)



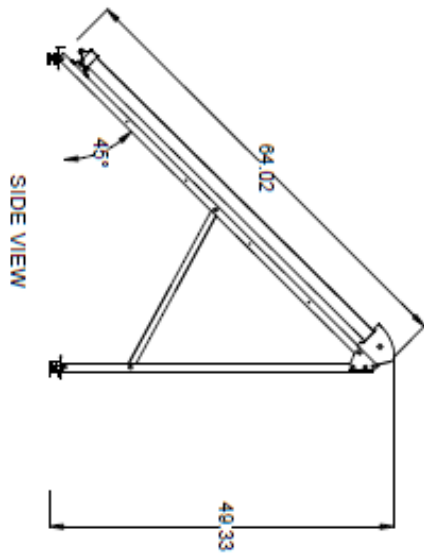
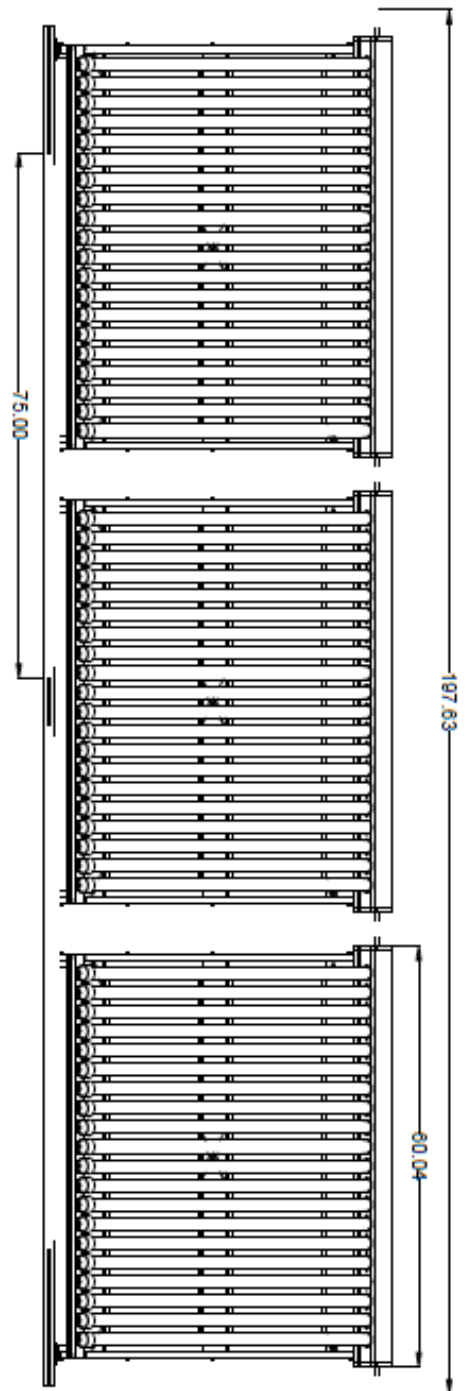
# Product Data Sheet

## ThermoPower VDF

VDF Series Efficiency Curve - SRCC

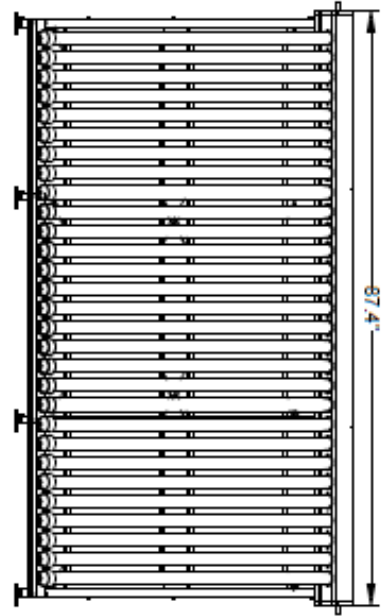


SunMaxx Solar  
 5098 NY 206  
 Bainbridge, NY 13733  
 P: 1.877.786.6299  
 F: 1.800.786.0329  
[www.SunMaxxSolar.com](http://www.SunMaxxSolar.com)

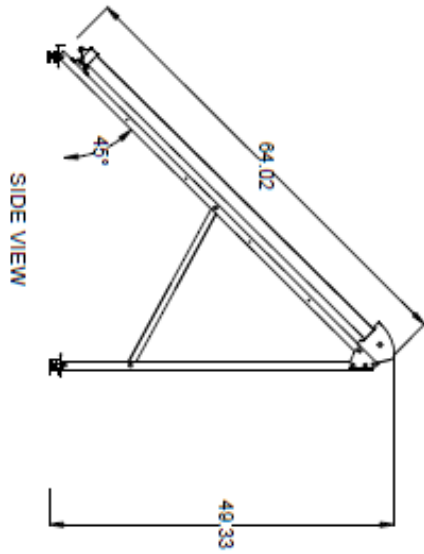


- \_\_\_\_\_ Collectors
- \_\_\_\_\_ 4 Channel Rails
- \_\_\_\_\_ Connect F
- \_\_\_\_\_ Ballast
- \_\_\_\_\_ Union

DRAWN	A.M.	<b>SunMaxx Solar Inc.</b> 1-888-504r11 WWW.SUNMAXXSOLAR.COM
CHECKED		
QA		
MFG		
UNIT	INCH	TITLE <b>ThermoPower-VDF20</b> Ballast Mounting Details
APPROVED	SIZE	DWG NO
	SCALE	REV
		SHEET 1 OF 1



FRONT VIEW



SIDE VIEW

- \_\_\_\_\_ Collectors
- \_\_\_\_\_ 4 Channel Rails
- \_\_\_\_\_ Connect F
- \_\_\_\_\_ Ballast
- \_\_\_\_\_ Union

DRAWN	A.M.	SunMaxx Solar Inc. 1-888-Solar11 WWW.SUNMAXXSOLAR.COM
CHECKED		
QA		
MFG		
UNIT	INCH	TITLE ThermoPower-VDF30 Ballast Mounting Details
APPROVED		SIZE SCALE
		DWG NO SHEET 1 OF 1
		REV