



Product Data Sheet

ThermoPower VHP

Technical Details

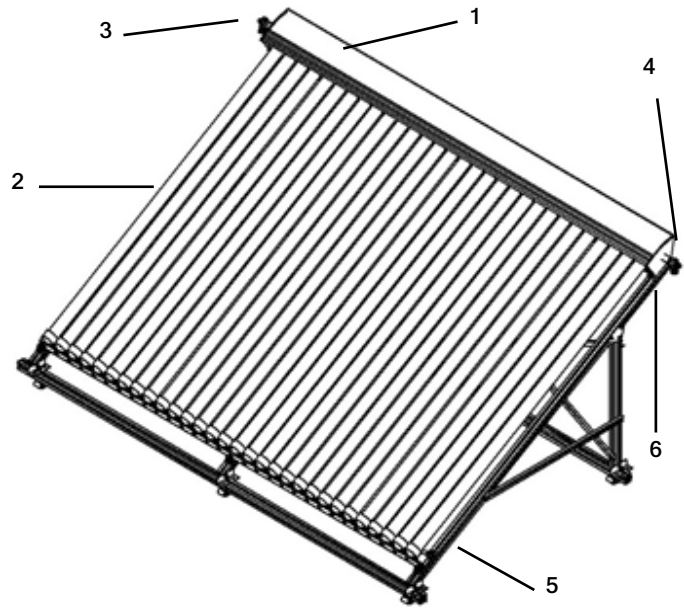
Model:	ThermoPower VHP Series
Connections:	1" Male NPT
Tube Length:	70"
Outer Tube Diameter:	2.2"
Inner Tube Diameter:	2.1"
Tube Thickness:	0.1"
Tube Material:	Borosilicate Glass
Tube Coating:	Al-N/Al
Thermal Expansion:	3.3x10 ⁻⁶
Coating Absorbance:	>92%
Coat Emissivity:	<8%
Vacuum:	P < 5x10 ⁻³ Pa
Heat Loss:	< 0.7W/m ² .OC
Maximum Strength:	1.0MPa
Flow Rate:	0.028 GPM/tube
Tilt Angles:	15-75o
Orientation:	Portrait
Max of Tubes in series:	210
Operating Pressure:	20-70 psi
Maximum Pressure:	150 psi
Stagnation Temperature:	>428 OF
Heat Transfer Fluid:	Water / Glycol
Heat Transfer Method:	Heat Pipe
Heat Pipe Transfer Fluid:	Water
Manifold Socket:	Soldered Dry Socket
Glass to Metal Seal Type:	Hermetic
Fittings:	1" NPT

SRCC Certified

Solar Keymark Certified

3 years Standard Warranty

10 years Warranty when installed by certified installer



ThermoPower-VHP30

1. Manifold
2. Double Wall Vacuum Tube
3. 1" Male NPT Brass Connection
4. Temperature Sensor Well
5. Free Standing Extruded Aluminum Frame
6. Internal Temperature Sensor Well (both sides)



SunMaxx Solar
 5098 NY 206
 Bainbridge, NY 13733
 P: 1.877.786.6299
 F: 1.800.786.0329
www.SunMaxxSolar.com

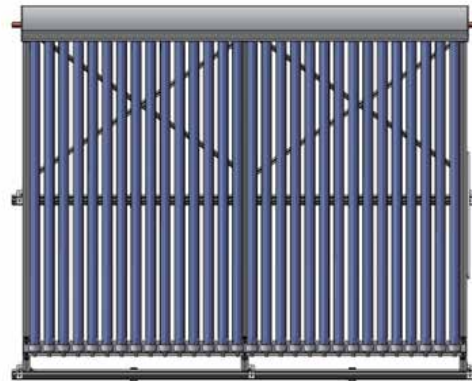


Product Data Sheet

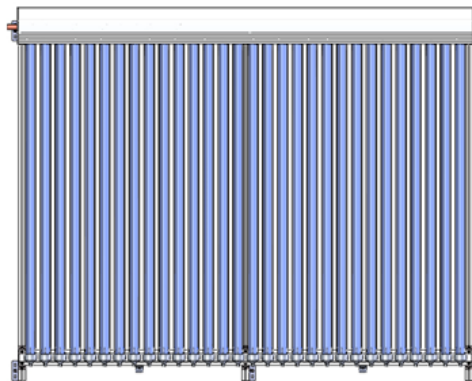
ThermoPower VHP

Technical Details

Model:	VHP10	VHP20	VHP25	VHP30
Dimensions:	37.5 x 79in	70.2 x 79 in	86.2 x 79 in	102.9 x 79 in
Net Aperture Area:	0.93 m ² / 10.01 ft ²	1.86 m ² / 20.03 ft ²	2.33 m ² / 25.03 ft ²	2.79 m ² / 30.04 ft ²
Weight:	39.9kg / 88 lbs	77.1 kg / 170 lbs	96.2kg / 212 lbs	114.3kg / 252 lbs
Fluid Capacity:	0.68L / 0.18 gal	1.51L / 0.4 gal	1.89L / 0.5 gal	2.31L / 0.61 gal
Rated Flow Rate:	0.28 gpm	0.56 gpm	0.70 gpm	0.84 gpm
Minimum Flow Rate:	0.2 gpm	0.3 gpm	0.4 gpm	0.6gpm
Maximum Flow Rate:	3 gpm	3.4 gpm	3.8 gpm	4.2 gpm
Storage Tank Size:	30-40 gal	50-60 gal	60 – 70 gal	70+ gal
SRCC Clear C Rating:	14 kBTU/panel/day	28 kBTU/panel/day	35 kBTU/panel/day	42 kBTU/panel/day



Free-Standing Mounting



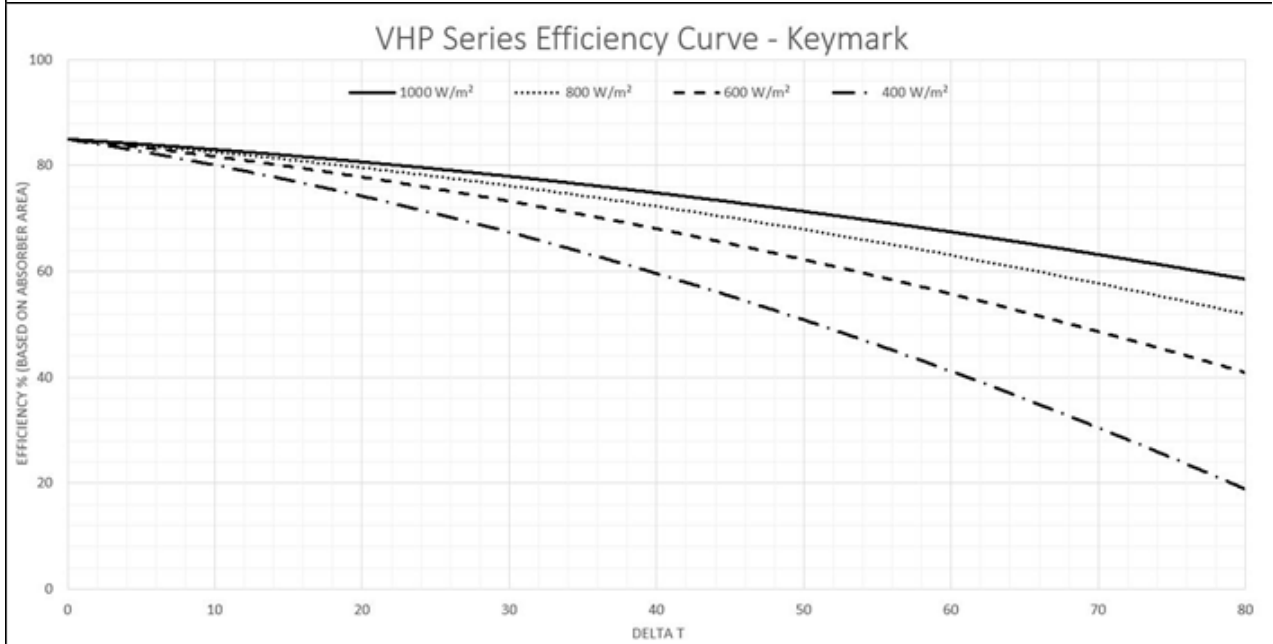
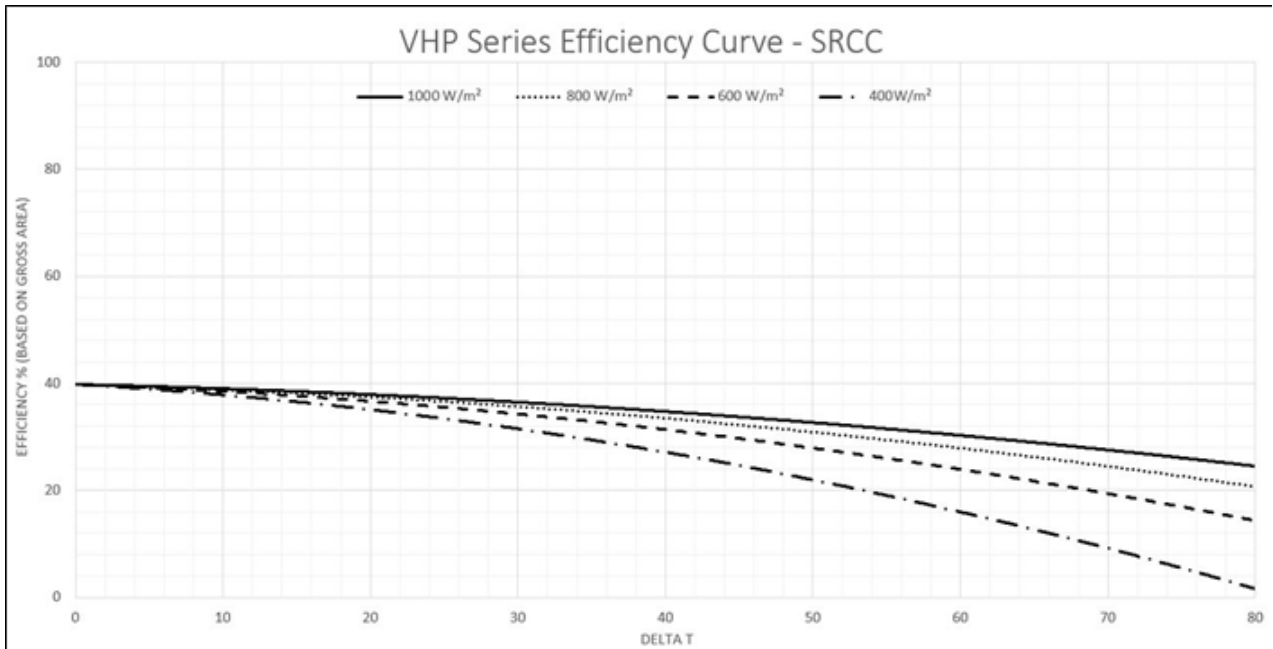
Flush Mounting

SunMaxx Solar
 5098 NY 206
 Bainbridge, NY 13733
 P: 1.877.786.6299
 F: 1.800.786.0329
www.SunMaxxSolar.com



Product Data Sheet

ThermoPower VHP

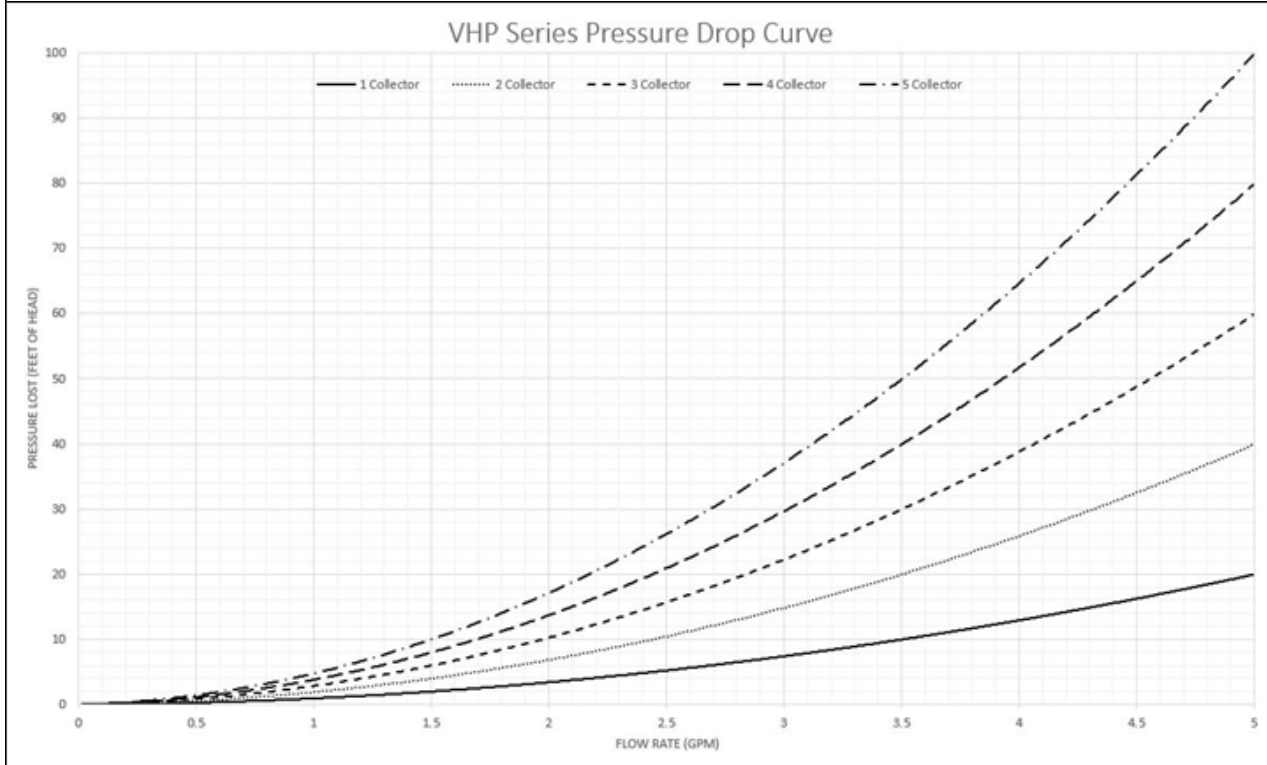
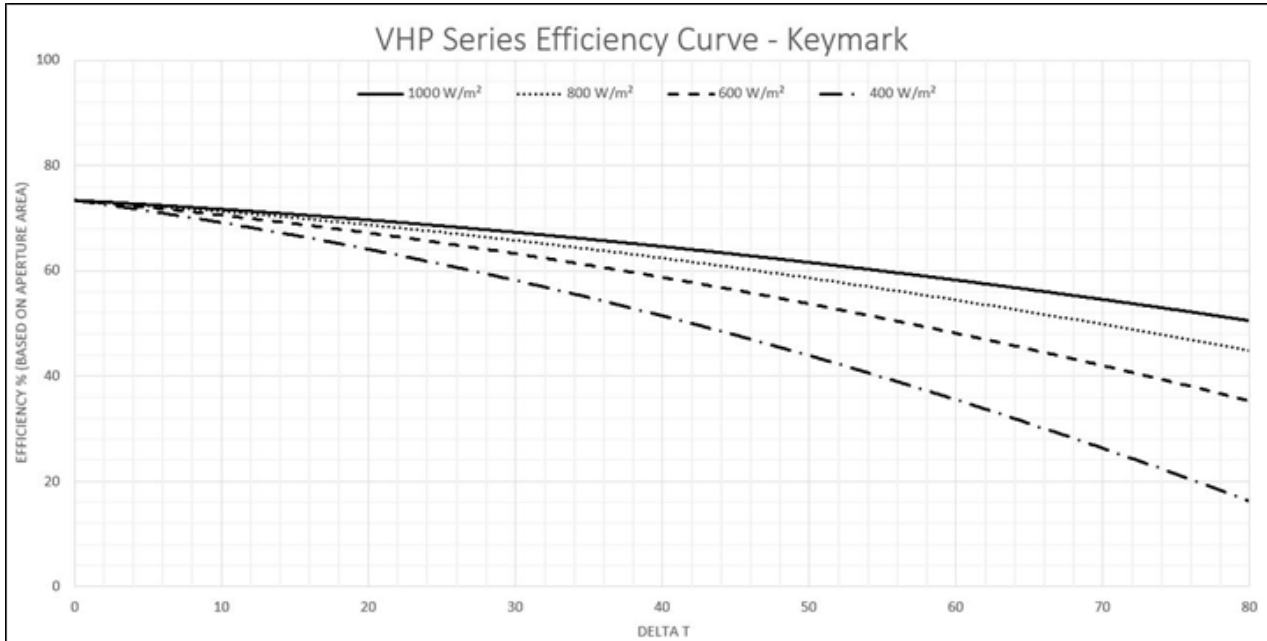


SunMaxx Solar
5098 NY 206
Bainbridge, NY 13733
P: 1.877.786.6299
F: 1.800.786.0329
www.SunMaxxSolar.com



Product Data Sheet

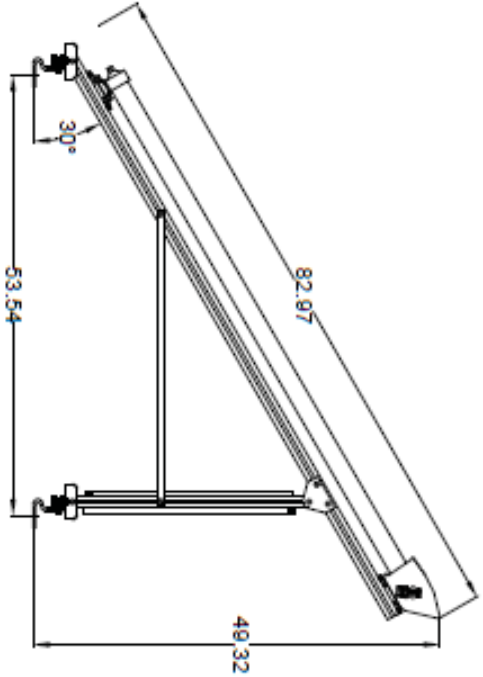
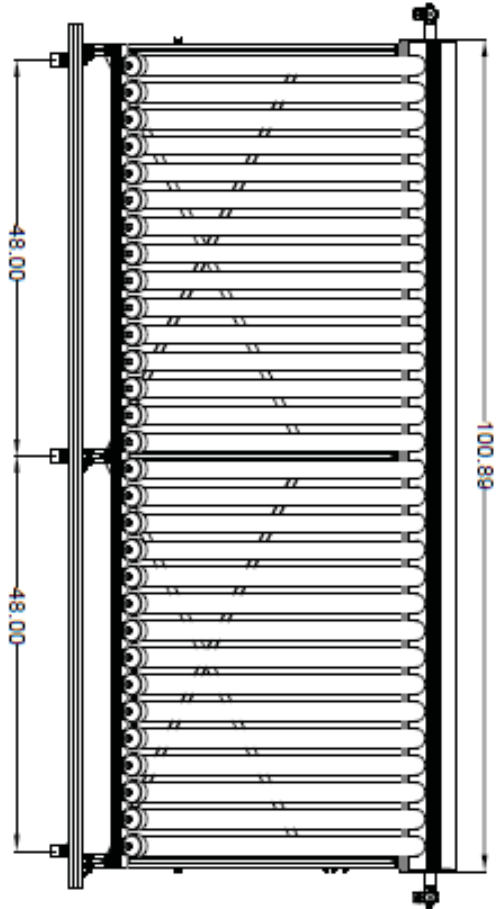
ThermoPower VHP



SunMaxx Solar
5098 NY 206
Bainbridge, NY 13733
P: 1.877.786.6299
F: 1.800.786.0329
www.SunMaxxSolar.com



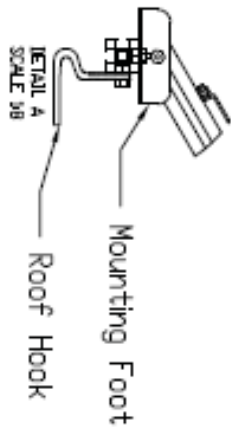
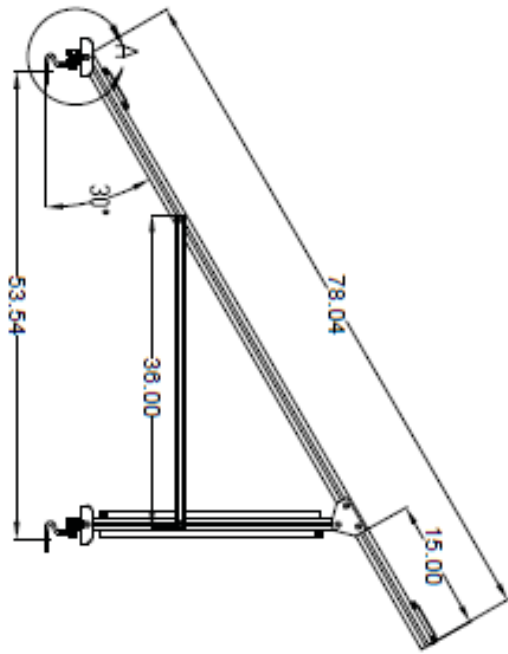
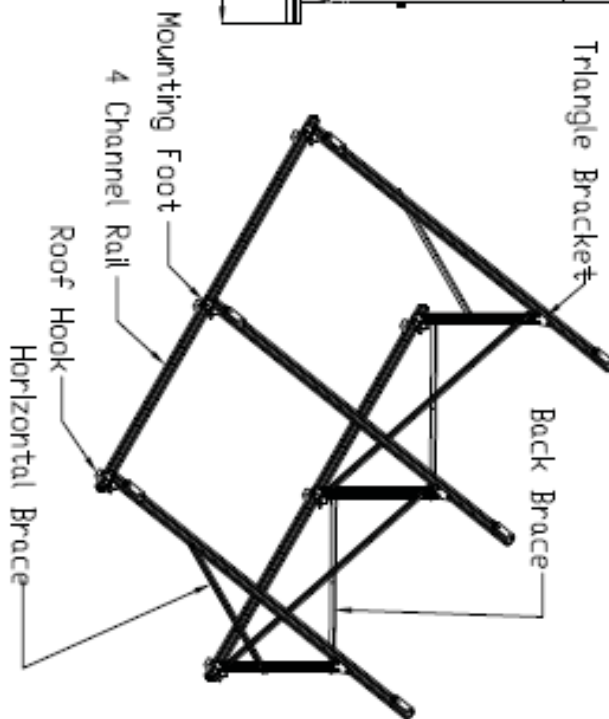
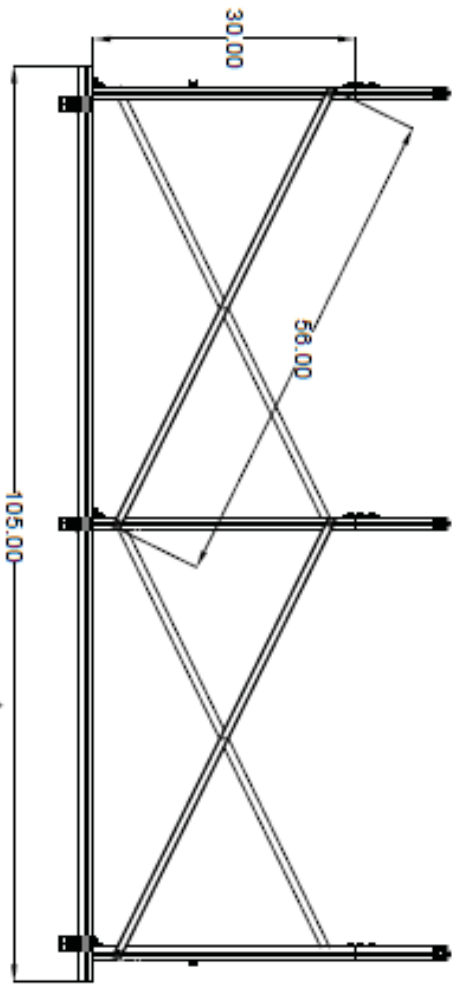
PROPRIETARY AND CONFIDENTIAL.
 THE INFORMATION CONTAINED IN THIS DRAWING IS THE SOLE PROPERTY OF SUNMAXX SOLAR. NO PART OF THIS DRAWING IS TO BE REPRODUCED OR TRANSMITTED IN ANY FORM OR BY ANY MEANS, ELECTRONIC OR MECHANICAL, INCLUDING PHOTOCOPYING, RECORDING, OR BY ANY INFORMATION STORAGE AND RETRIEVAL SYSTEM, WITHOUT THE WRITTEN PERMISSION OF SUNMAXX SOLAR. THIS DRAWING IS UNLESS OTHERWISE SPECIFIED.



MAXIMUM DISTANCE BETWEEN THE ROOF HOOKS = 48"

UNLESS OTHERWISE SPECIFIED		IRRAW	NAME	DATE	TITLE
DIMENSIONS ARE IN INCHES					Collector Details
TOLERANCES:		CHECKED			
FRACTIONAL & ANGULAR DIMS. & HOLE & TWO PLACE DECIMAL & THREE PLACE DECIMAL &		ENG APPR.			
		WFO APPR.			
MATERIAL		COMMENTS			SIZE DWG. NO.
HEAT ASSY					SCALE: A
APPLICATION		DO NOT SCALE DIMENSIONS			WEIGHT:
USER DN					SHEET 1 OF 3
					REV

5 4 3 2 1



PROPRIETARY AND CONFIDENTIAL.
THE INFORMATION CONTAINED IN THIS DRAWING IS THE SOLE PROPERTY OF SUNMAXX SOLAR. ANY REPRODUCTION OR PART OR AS A WHOLE WITHOUT THE WRITTEN PERMISSION OF SUNMAXX SOLAR IS PROHIBITED.

UNLESS OTHERWISE SPECIFIED		DRAWN	NAME	DATE	TITLE	
DIMENSIONS ARE IN INCHES (FRACTIONS) & ANGULAR MEAS. & HOLE & TWO PLACE DECIMAL & THREE PLACE DECIMAL &		CHECKED			Mounting Details	
MATERIAL		ENG APPR.			SIZE DWG. NO.	REV
FINISH		MFG APPR.			A	
NEXT ASSY		QA			SCALE:	WEIGHT:
USED ON		DIMENSIONS			SHEET 2 OF 3	
APPLICATION		DRAWING				
ID NOT SCALE DRAWING		DATE				

5

4

3

2

1

