



Product Data Sheet

UniMaxx-PLUS-SC-500-AC-V3

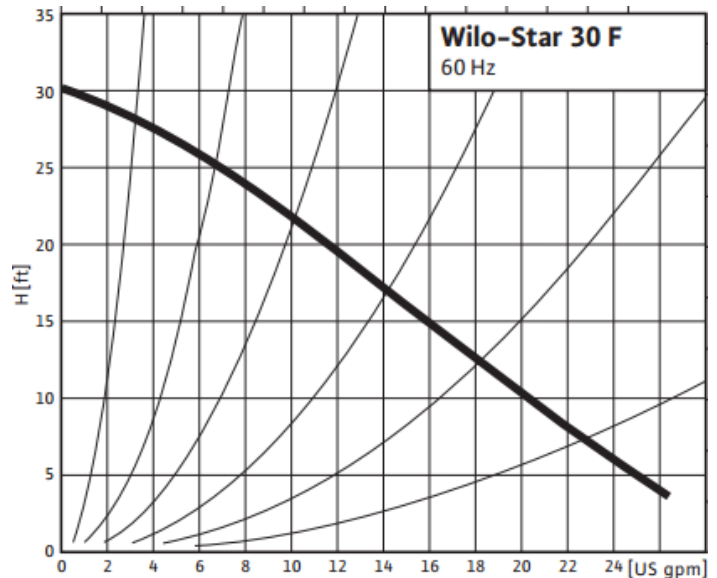
Technical Details	
Height (with insulation)	18.66"
Width (with insulation)	12.13"
Distance Axis/Wall	3.94"
Circulation Pump	WILO Star S30 U-25-180 (1/10 HP)
Pipe Connections	¾" Compression
Connection for Expansion Vessel	ET pipe ¾", flat sealing
Outlet Safety Valve	ET pipe ¾"
Max. Admissible Pressure	145 psi
Safety Valve	87 psi
Pressure Gauge	0-87 psi
Spring Pressure of Non-Return Valve	2 x 0.66' head = 1.32' head
Temperature Gauges	32-320 °F
Flowmeter (depending on version)	1 – 10 gpm
Fittings	Brass
Gaskets	EPDM/NBR - max. 356 °F
Insulation	EPP, $\lambda = 0,041 \text{ W}/(\text{m}\cdot\text{K})$; max. 120°C continuous and 180°C intermittent

Technical Pump Data

- Permissible temperature range -14°F to 230°F
- Mains connection 115/120 V, 60 Hz
- Protection class IP 44
- Threaded connection Rp ½ and Rp 1
- Max. operating pressure 145 psi
- Power consumption 1/10 HP
- Max Amperage 1.5A

Materials

- pump housing - grey cast-iron
- impeller - polypropylene
- shaft - stainless steel insulation - EPP
- fittings - brass
- seals - viton/teflon
- bearing - carbon

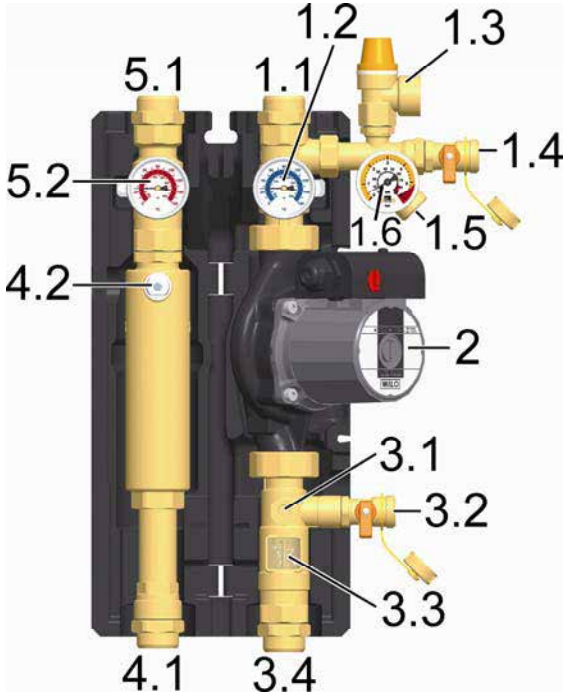


SunMaxx Solar
 5098 NY 206
 Bainbridge, NY 13733
 P: 1.877.786.6299
 F: 1.800.786.0329
www.SunMaxxSolar.com



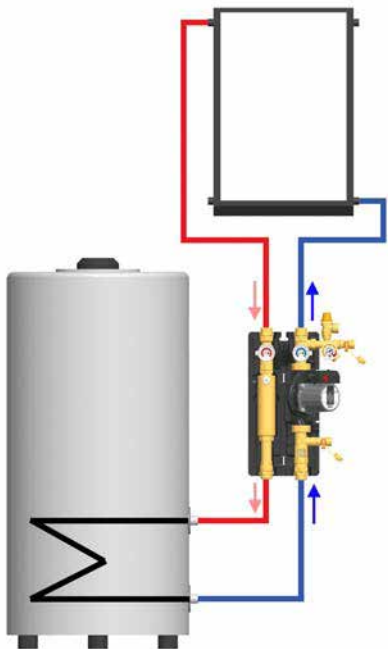
Product Data Sheet

UniMaxx-PLUS-SC-500-AC-V3



Components

- 1.1 Return to the collector field
- 1.2 Ball valve with temperature gauge in the return equipped with replaceable spindle (blue)
- 1.3 Pressure relief valve, 87 psi / 6 bar
- 1.4 Fill valve
- 1.5 Connection for the expansion tank
- 1.6 Pressure gauge 87 psi / 6 bar
- 2 Solar pump
- 3.1 Ball valve in flowmeter
- 3.2 Drain valve
- 3.3 Flowmeter
- 3.4 Return from the storage tank
- 4.1 Supply to the storage tank
- 4.2 Airstop equipped with manual bleeder
- 5.2 Ball valve with temperature gauge in the supply equipped with replaceable spindle (red)
- 5.1 Supply from the collector field



SunMaxx Solar
 5098 NY 206
 Bainbridge, NY 13733
 P: 1.877.786.6299
 F: 1.800.786.0329
www.SunMaxxSolar.com