



PROPRIETARY AND CONFIDENTIAL
 THE INFORMATION CONTAINED IN THIS
 DRAWING IS THE SOLE PROPERTY OF
 SILICON SOLAR. ANY REPRODUCTION IN
 PART OR AS A WHOLE WITHOUT THE
 WRITTEN PERMISSION OF SILICON SOLAR IS
 PROHIBITED.

TITLE: SunMaxx 30

VIEW: ISOMETRIC

SCALE: 1:20

UNIT: Inches

DATE: 08/12/08

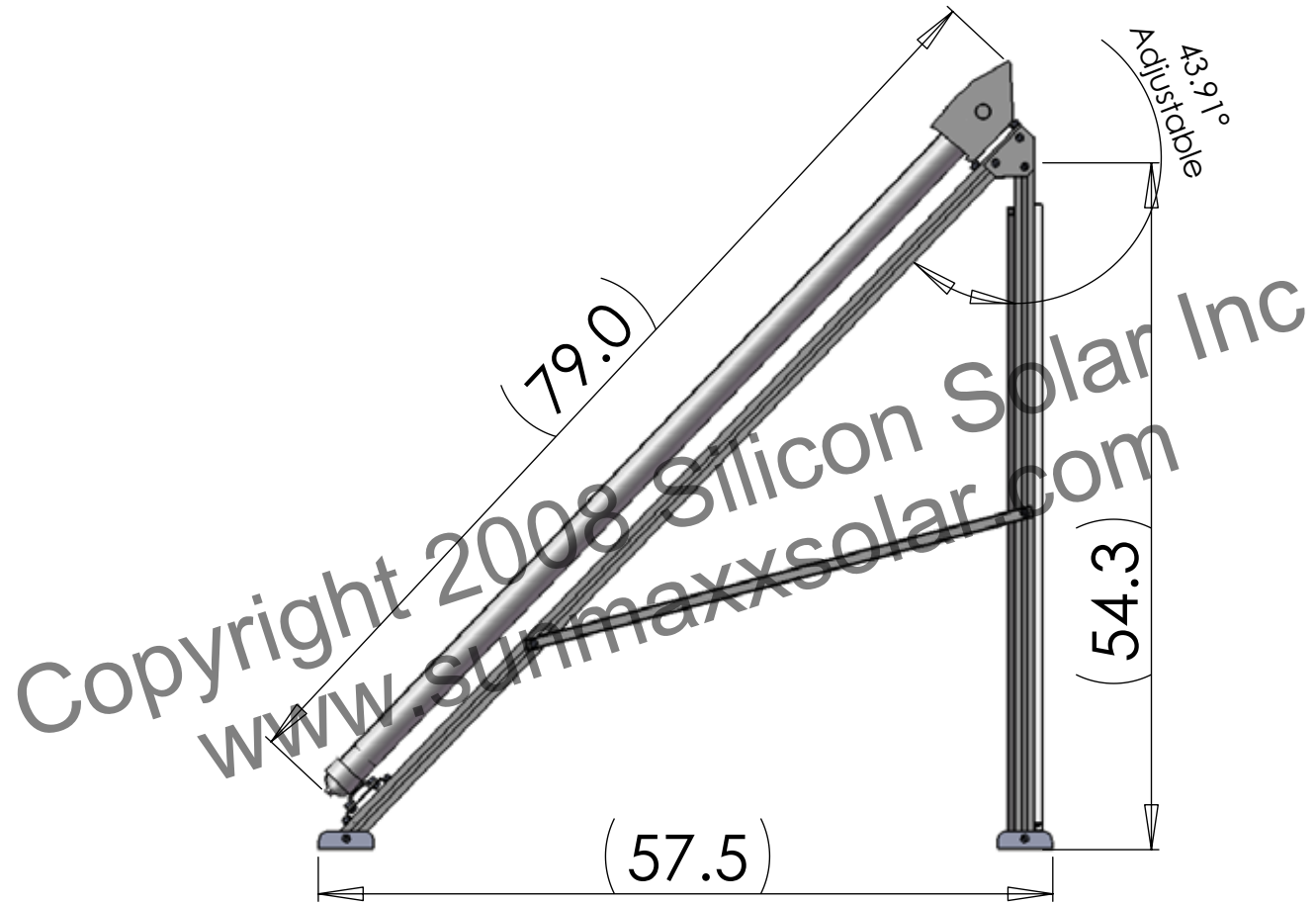
5

4

3

2

1



PROPRIETARY AND CONFIDENTIAL THE INFORMATION CONTAINED IN THIS DRAWING IS THE SOLE PROPERTY OF SILICON SOLAR. ANY REPRODUCTION IN PART OR AS A WHOLE WITHOUT THE WRITTEN PERMISSION OF SILICON SOLAR IS PROHIBITED.	TITLE: SunMaxx 30		
	VIEW: RIGHT		
	SCALE: 1:15	UNIT: Inches	DATE: 08/12/08

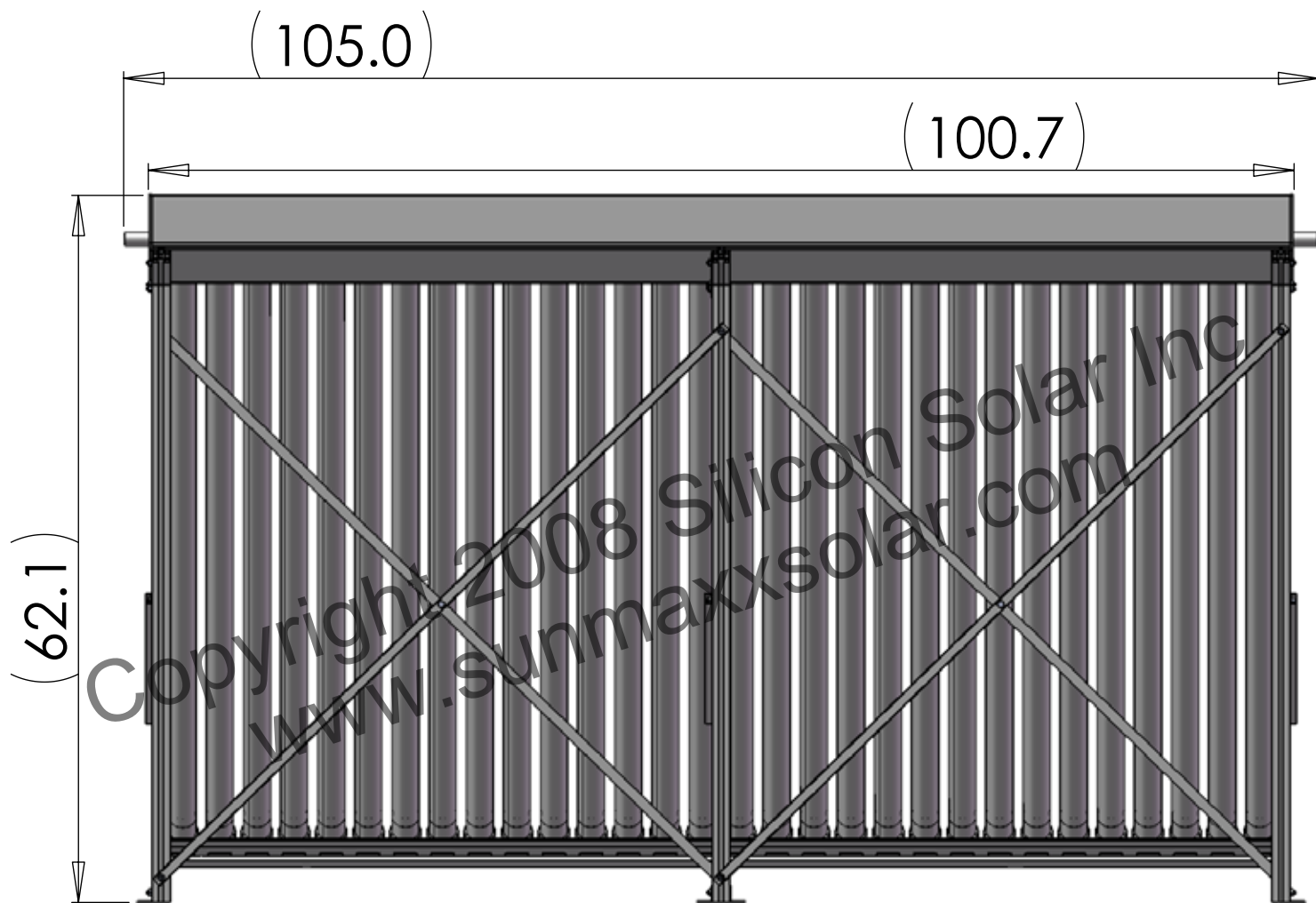
5

4

3

2

1



PROPRIETARY AND CONFIDENTIAL
 THE INFORMATION CONTAINED IN THIS
 DRAWING IS THE SOLE PROPERTY OF
 SILICON SOLAR. ANY REPRODUCTION IN
 PART OR AS A WHOLE WITHOUT THE
 WRITTEN PERMISSION OF SILICON SOLAR IS
 PROHIBITED.

TITLE: SunMaxx 30

VIEW: BACK

SCALE: 1:15

UNIT: Inches

DATE: 08/12/08

5

4

3

2

1