



Product Data Sheet

VTS HP

Technical Specification

SKU #	ThermoPower-VTS-HP-30	ThermoPower-VTS-HP-15
Number of Tubes	30	15
Dry Weight (lbs)	265	143
Filled Weight (lbs)	926	474
Capacity (gal)	79	40
Inner Tank Material	Stainless Steel SU316, 1.2mm	
Outer Tank Material	Powder-coated, UV-resistant	
Inlet/Outlet Connections	3/4" NPTF	
Insulation Material	PUF 55mm	
Frame Material	Aluminum Alloy	
Operating Pressure	58 PSI	
Max Operating Pressure	97 PSI	
Max Operating Temp (°F)	194	
Daily Efficiency (%)	> =55	

List of components

Evacuated Tube	30	15
Sealing Gasket	30	15
Water Tank	1	1
Automatic Air Vent	1	1
Horizontal Support	4	4
Front Support	4	4
Adjusted End Cap	30	15
End Bracket	1	1
Bolt Nut	25	25v
Tank Support	3	3
Front Leg	3	3

Additional Components (not included in set):

- 3/4" T&P Relieve Valve (75 PSI Relief)
SKU#: XMaxx-HW-VALVE-3/4IN-T&P
- Pressure Reducing Valve (if customer water pressure is above 50 PSI)
SKU#: XMaxx-HW-Valve-PR-3/4IN-PRESS-75PSI-LF

SunMaxx Solar
5098 NY 206
Bainbridge, NY 13733
P: 1.877.786.6299
F: 1.800.786.0329
www.SunMaxxSolar.com

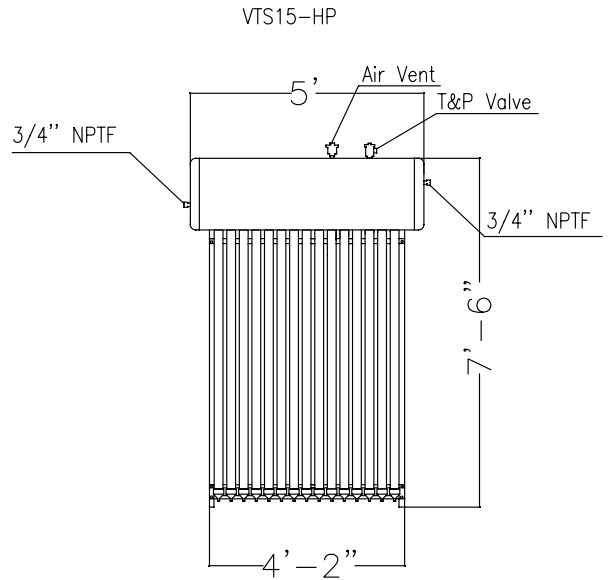
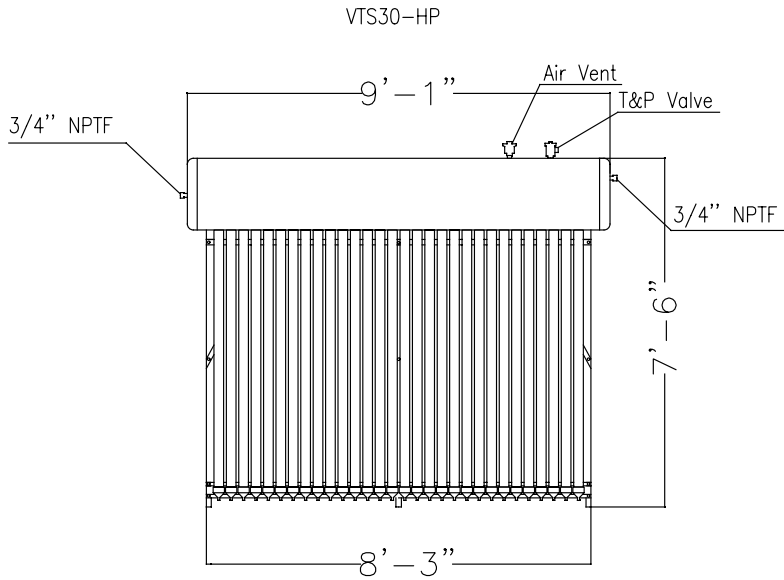


Product Data Sheet

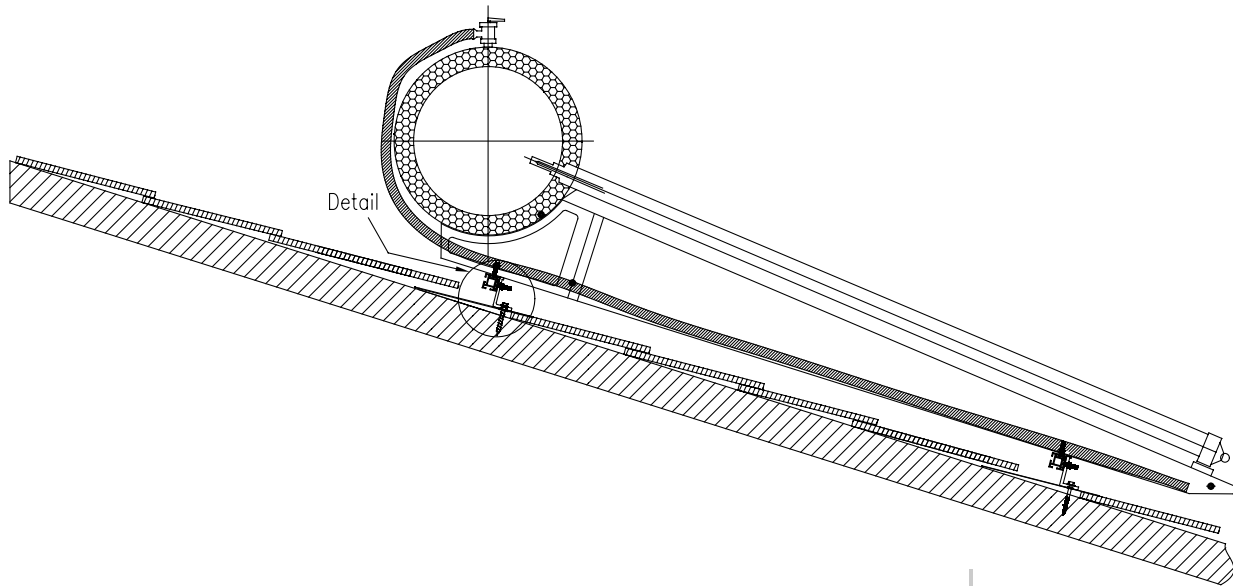
VTS HP

Technical Drawings

Front View



Side View



SunMaxx Solar
5098 NY 206
Bainbridge, NY 13733
P: 1.877.786.6299
F: 1.800.786.0329
www.SunMaxxSolar.com

Technical Drawings - Details

Detail
Mounting to Asphalt Roof

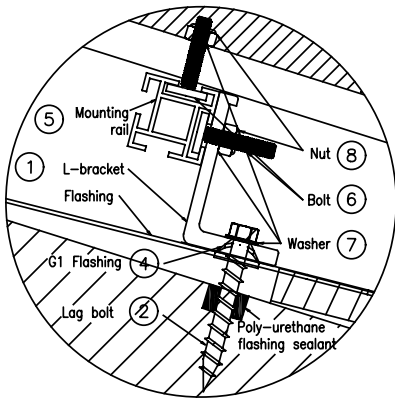


TABLE 101: Mounting kit elements			
#	ELEMENT	SKU #	Amount
1	L-Bracket	ConnectMaxx-TRUV-GF1-MLLFLASH-KIT	6
2	Lag bolts, Hex head, Stainless steel 18-8, 5/16" x 3"		
3	Flat washer, Stainless steel 18-8, 5/16"		
4	G1 Flashing		
5	Mounting rail	ConnectMaxx-VTS30-1FM-V1	1
6	M8 x 40mm Stainless Steel Bolt	ConnectMaxx-TRHW-M840MM-HEX	12
7	Flat washer, Stainless steel 18-8, 5/16"	ConnectMaxx-TPUV-WASHER-SS-5/16	12
8	316 Stainless Steel M8 locknut	ConnectMaxx-TRHW-M8LOCKNUT	12

Detail
Mounting to Tile Roof

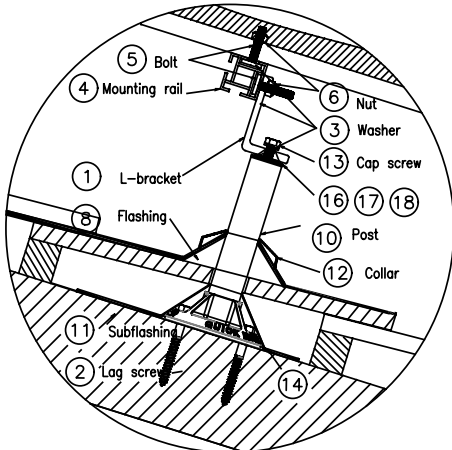


TABLE 201: Mounting kit elements			
#	ELEMENT	SKU #	Amount
1	L-Bracket	ConnectMaxx-TRUV-LBASE	8
3	Flat washer, Stainless steel 18-8, 5/16"	ConnectMaxx-TPUV-WASHER-SS-5/16	16
4	Mounting Rail	ConnectMaxx-TR4XV1-10FT	1
5	M8 x 40mm Stainless Steel Bolt	ConnectMaxx-TRHW-M840MM-HEX	16
6	316 Stainless Steel M8 locknut	ConnectMaxx-TRHW-M8LOCKNUT	16
8	Eternabond Roof Seal Black 3in x50ft	XMaxx-I-3IN-0.25IN-50FT	1
2	Lag screw, hex head, 5/16" X 3", ZINC	ConnectMaxx-UV-QMUTM-TILE	8
11	Sub-flashing, Cone, MILL		
8	Flashing, Cone, MILL		
12	Collar, Counter flashing, 1-1/4" ID EPDM		
10	Post, 6063-T5/6063-T6, MILL		
14	QBase, 1-1/4" ID, FOR 5/16" Hardware		
13	Cap screw, hex head, 5/16"-18 X 3/4" UNC-2A,		
16	Washer, sealing, 5/16" ID X 1-1/4" OD		
3	Flat washer, Stainless steel 18-8, 5/16"		
17	Washer, Split lock, 5/16" ID, 18-8 SS		
18	Cap screw, Hex head, 5/16"-18 X 1" UNC-2A,		

SunMaxx Solar
5098 NY 206
Bainbridge, NY 13733
P: 1.877.786.6299
F: 1.800.786.0329
www.SunMaxxSolar.com

Technical Drawings - Details

Detail
Mounting to Metal Roof (Wood Purlin)

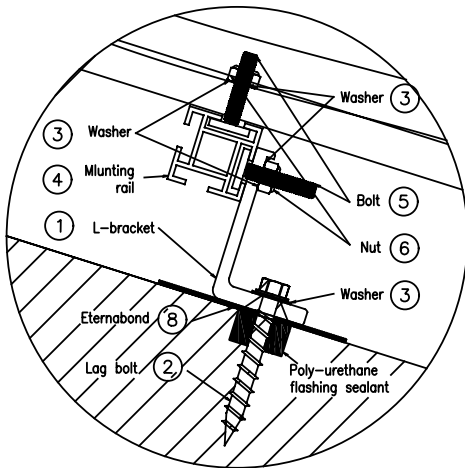


TABLE 301: Mounting kit elements

#	ELEMENT	SKU #	Amount
1	L-Bracket	ConnectMaxx-TRUV-LBASE	6
2	Lag bolts, Hex head, Stainless steel 18-8, 5/16" x 3"	ConnectMaxx-TPUV-LAG-W-5/16-3IN	6
3	Flat washer, Stainless steel 18-8, 5/16"	ConnectMaxx-TPUV-WASHER-SS-5/16	18
4	Mounting rail	ConnectMaxx-VTS30-1FM-V1	1
5	M8 x 40mm Stainless Steel Bolt	ConnectMaxx-TRHW-M840MM-HEX	12
6	316 Stainless Steel M8 locknut	ConnectMaxx-TRHW-M8LOCKNUT	12
7	Eternabond RoofSeal Black 3in x50ft	Eternabond RoofSeal Black 3in x50ft	1

Detail
Mounting to Metal Roof (Steel Purlin)

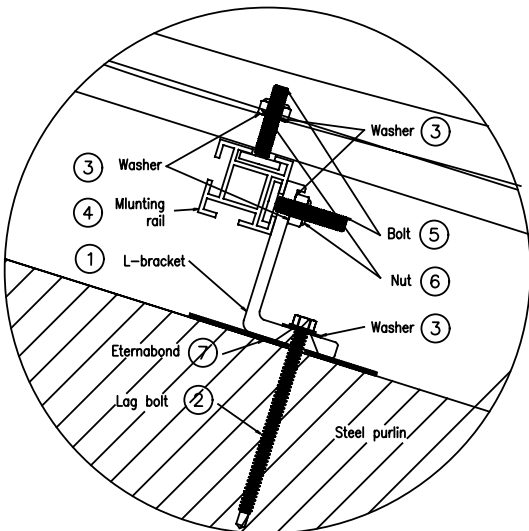
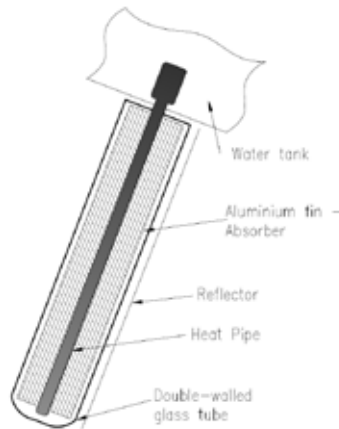


TABLE 401: Mounting kit elements

#	ELEMENT	SKU #	Amount
1	L-Bracket	ConnectMaxx-TRUV-LBASE	6
2	Lag bolts, Hex head, Stainless steel 18-8, 5/16" x 3"	ConnectMaxx-TPUV-LAG-W-5/16-3IN	6
3	Flat washer, Stainless steel 18-8, 5/16"	ConnectMaxx-TPUV-WASHER-SS-5/16	18
4	Mounting rail	ConnectMaxx-VTS30-1FM-V1	1
5	M8 x 40mm Stainless Steel Bolt	ConnectMaxx-TRHW-M840MM-HEX	12
6	316 Stainless Steel M8 locknut	ConnectMaxx-TRHW-M8LOCKNUT	12
7	Eternabond RoofSeal Black 3in x50ft	Eternabond RoofSeal Black 3in x50ft	1

SunMaxx Solar
5098 NY 206
Bainbridge, NY 13733
P: 1.877.786.6299
F: 1.800.786.0329
www.SunMaxxSolar.com

Technical Drawing
Evacuated Tube - Detail



SRCC OG-300 Certification

SKU #	SRCC Number	Model #	Backup Heat Source
ThermoPower-VTS-HP-30	30004236	VTS30-HP-G	Gas
	30004237	VTS30-HP-E	Electric
	30004251	VTS30-HP-TE	Tankless Electric
	30004249	VTS30-HP-TG	Tankless Gas
ThermoPower-VTS-HP-15	30004250	VTS15-HP-TG	Tankless Gas
	30004252	VTS15-HP-TE	Tankless Electric
	30004235	VTS15-HP-E	Electric
	30004234	VTS15-HP-G	Gas

Warranty

- 10 years

SunMaxx Solar
5098 NY 206
Bainbridge, NY 13733
P: 1.877.786.6299
F: 1.800.786.0329
www.SunMaxxSolar.com



Approval Stamps

Architectural Stamps and Remarks

A large rectangular area defined by a dotted border, intended for architectural stamps and remarks.

Contractor Stamp and Remarks

A large rectangular area defined by a dotted border, intended for contractor stamps and remarks.

Contractor Note - Sign Below

A rectangular area defined by a dotted border, intended for a contractor note or signature.

SunMaxx Solar
5098 NY 206
Bainbridge, NY 13733
P: 1.877.786.6299
F: 1.800.786.0329
www.SunMaxxSolar.com