



SOLAR RATING & CERTIFICATION CORPORATION

CERTIFIED SOLAR SYSTEM

SUPPLIER:
SunMaxx Solar LLC
 5042-5160 New York 206
 Bainbridge, NY 13733 USA
 www.sunmaxxsolar.com

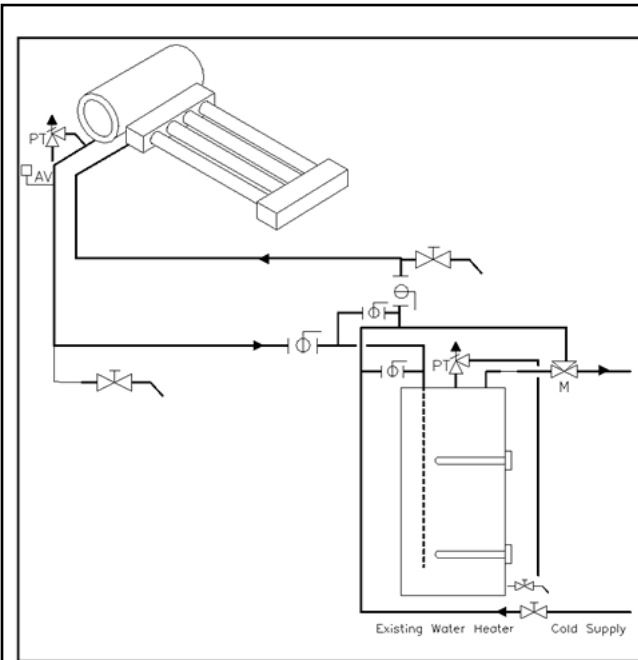
In Accordance with:
SRCC Standard 300-2013-01-02

BRAND: ThermoPower
 MODEL: VTS15-HP-E
 SYSTEM TYPE: Thermosiphon, Indirect
 CERTIFICATION #: 30004235
 Original Certification: May 01, 2017
 Expiration Date: June 01, 2024

The solar system listed below has been evaluated by the Solar Rating & Certification Corporation™ (SRCC™), an ISO/IEC 17065 accredited and EPA recognized Certification Body, in accordance with SRCC OG-300, Operating Guidelines for Certifying Solar Water Heating Systems, and has been certified by the SRCC. This award of certification is subject to all terms and conditions of the Program Agreement and the documents incorporated therein by reference. This document must be reproduced in its entirety.

Description: Non Separable Thermosiphon Glazed, -5 °C 23 °F, Water , None, None, None

Single-day Rating		SINGLE DAY RATING CONDITIONS	SI Units	Inch-Pound Units
Solar Energy Factor (SEF _D)	Solar Fraction (SF _D)	System Set Temperature	57.2 °C	135 °F
1.2	0.23	Environmental Temperature	19.7 °C	67.5 °F
Single-day Rating Conditions: SEF _D = Solar Energy Factor (info link) SF _D = Solar Fraction (info link)		Ambient Temperature Profile Average	14.4 °C	58 °F
		Water Mains Temperature	14.4 °C	58 °F
		Delivered Load	43.3 MJ/day	41,045 Btu/day
		Solar Irradiance	4,733 Wh/m ² -day	1,500 Btu/ft ² -day



Storage Tank(s)			
Solar Tank Vol (l)	Solar Tank Vol (gal)	Aux Tank Vol (l)	Aux Tank Vol (gal)
150	40	189	50
Note: The auxiliary tank can have a volume between 132 and 246 liters (35 and 65 gallons).			
Approximate Collector Area: 2.3 m ² , 24.5 ft ²			

The solar water system listed here has been certified by the SRCC as meeting the minimum standards for testing, installation, operation, maintenance, performance, reliability and safety as specified in SRCC Document OG-300. Thermal performance ratings are based on the successful durability and performance testing of a sample collector, where said tests have been conducted by an independent laboratory approved and listed by the SRCC. The system has been modeled using the computer simulation program TRNSYS to calculate the ratings.

Before the Supplier can make any change in design, materials, specifications, parts, or construction, the change(s) must be reported to the SRCC for evaluation of continued certification.

REMARKS:

Shawn Martin
 Technical Director

Print Date: May, 2017 Page 1 of 2
 Please verify certification is active on the SRCC website.
 © Solar Rating & Certification Corporation™





SOLAR RATING
& CERTIFICATION
CORPORATION

CERTIFIED SOLAR SYSTEM

SUPPLIER:
SunMaxx Solar LLC
5042-5160 New York 206
Bainbridge, NY 13733 USA
www.sunmaxxsolar.com

In Accordance with:
SRCC Standard 300-2013-01-02

BRAND: ThermoPower
MODEL: VTS15-HP-E
SYSTEM TYPE: Thermosiphon, Indirect
CERTIFICATION #: 30004235
Original Certification: May 01, 2017
Expiration Date: June 01, 2024

The solar system listed below has been evaluated by the Solar Rating & Certification Corporation™ (SRCC™), an ISO/IEC 17065 accredited and EPA recognized Certification Body, in accordance with SRCC OG-300, Operating Guidelines for Certifying Solar Water Heating Systems, and has been certified by the SRCC. This award of certification is subject to all terms and conditions of the Program Agreement and the documents incorporated therein by reference. This document must be reproduced in its entirety.

Only the following options for the collector array are approved:

Option	Collector Panel Manufacturer	Collector Panel Request Number	Collector Panel Model Number	Collector Panel Name	Quantity	Total Panel area(m ²)	Total Panel area(ft ²)
1	Jiangsu Sunrain Solar Energy Co. Ltd.	10001972	TZ58/1800-15C	Sunrain	1	2.27	24.46



Print Date: May, 2017 Page 2 of 2
Please verify certification is active on the SRCC website.
© Solar Rating & Certification Corporation™