



# PRODUCT DATA SHEET

Technical Details		
Model	FlowMaxx-IDL-3/4IN-19MM-82FT	FlowMaxx-IDL-1IN-19MM-82FT
Diameter (in)/(mm)	0.75 / 19	1 / 25.4
Length (ft)/(m)	82 / 25	82 / 25
Max. Operating Pressure @302°F (psi)/(bar)	95 / 6.55	95 / 6.55
Max. Operating Pressure @68°F (psi)/(bar)	145 / 10	145 / 10
R @104°F		
Stainless Steel Pipe - Technical Details		
Material	Flexible, corrugated stainless steel	
Stainless Steel Grade	316L	
Bending Radius (in)/(mm)	1.18 / 30	1 / 25.4
Internal Diameter (in)/(mm)	0.80 / 20.32	1 / 25.4
External Diameter (in)/(mm)	1.1 / 28	1.3 / 33
Wall Thickness (in)/(mm)	0.007 / 0.18	0.008 / 0.2
Burst Pressure	4x Max Operating Pressure	
Fluid Capacity (gal/ft)/(l/m)	0.0362 / 0.45	0.0519 / 0,645
Insulation Technical Details		
Material	Closed-cell, synthetic high-temperature rubber high-temperature rubber	
Thickness (in)/(mm)	0.75 / 19	
Continuous Service Temperature Range (°F)/(°C)	-40 – 300 / -40 – 148.9	
Max. Temperature (°F)/(°C)	375 / 190.6	
Thermal Conductivity (Btu.in/hr.ft².°F)/(W/m.K)	0.26 / 0.0375	
UV & Outdoor Protective Coating	LLDPE + Carbon Black UV Stabilizer	

Insulation Technical Details (cont.)		
<b>Water Vapor Permeability Perm-in [Kg/[s x m x Pa]]</b>	0.08 (1.6 x 10 <sup>-13</sup> )	ASTM E 96, Procedure A Tested
<b>Flame Spread and Smoke Developed Index</b>	20/50 rated	ASTM E 84 Tested
<b>Water Absorption % by Volume</b>	0.2%	---
<b>Mold Growth; Fungi Resistance; Bacterial Resistance;</b>	Passed	UL181 Tested ASTM G21/C1338 Tested ASTM G22 Tested
<b>Upper Use Limit1 (°F)/(°C)</b>	375 / 190	ASTM C534 Tested
<b>Lower Use Limit2 (°F)/(°C)</b>	-297/ -183	ASTM C534 Tested
<b>Ozone Resistance</b>	Excellent	ASTM D 1149 Tested
<b>Oil Resistance</b>	Excellent	ASTM Oil No. 1 and No. 3

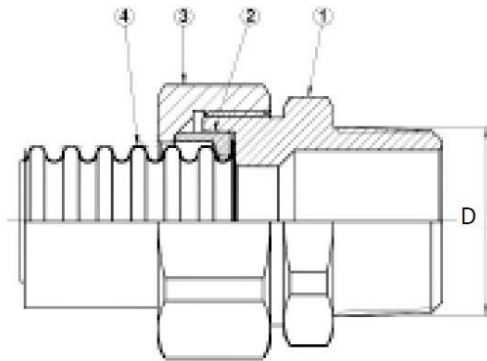
1 Suitable for systems with occasional or intermittent temperatures up to 375°F (190°C), with a recommended exposure limit of one 30-minute period at 375°F (190°C) over 24 hours of operation.  
2 At temperatures below -20°F (-29°C), elastomeric insulation starts to become less flexible. However, this characteristic does not affect thermal efficiency or water vapor permeability of insulation.

Additional product notes:

- ✓ No special tools needed for installation or maintenance
- ✓ Easy, leak-free installation - no torch needed
- ✓ CFC and HCFC-free insulation, according to DIN 1988 Parts 2 and 7
- ✓ DIN EN 13823 & EN ISO 11925-2 fire resistant EPDM rubber
- ✓ AISI 316L Stainless Steel
- ✓ FlowMaxx Lineset insulation coated with LLDPE UV Black protective layer (10+ years lifespan)
- ✓ FlowMaxx Lineset does not require additional coating or protection when installed outdoors
- ✓ Insulation LLDPE allows for expansion and contraction of interior stainless steel pipe to allow for system thermal expansion and contraction.
- ✓ NSF/ANSI 61 Compliant (stainless steel piping) Pending IAPMO Listing\* EN 10204 3.1: DIN 1.4404
- ✓ ASTM A312 & ASTM D792 method tested
- ✓ Manufactured without CFCs, HFCs, HCFCs, PBDEs, or Formaldehyde

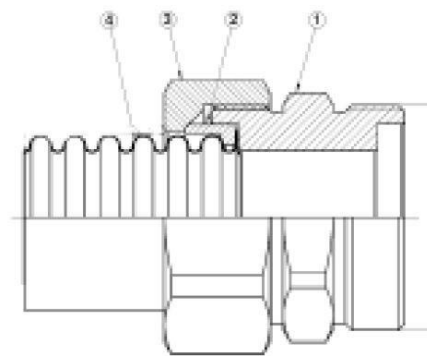


Technical Details - FlowMaxx Quick-Connect Fittings		
Model	Fitting Type	Connections
FlowMaxx-A-3/4IN-3/4IN-PF-M	Male Fittings (NPT)	3/4" D x 3/4"
FlowMaxx-A-1IN-1IN-PF-M	Male Fittings (NPT)	1" D x 1"
FlowMaxx-A-3/4IN-3/4IN-CC-PF	Coupling	3/4" D
FlowMaxx-A-1IN-1IN-CC-PF	Coupling	1" D
FlowMaxx-A-TEE-3/4IN-PF	T Fittings (NPT)	3/4" x 3/4" x 3/4"
FlowMaxx-A-TEE-3/4IN-1IN-3/4IN-PF	T Fittings (NPT)	3/4" x 1" x 3/4"
FlowMaxx-A-TEE-1IN-PF	T Fittings (NPT)	1" x 1" x 1"



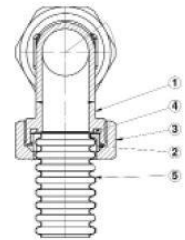
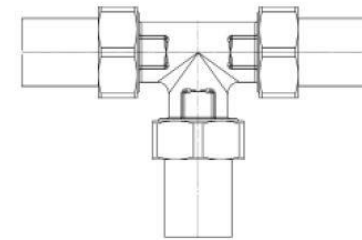
### Male Fittings

1. Brass Adapter Nipple
2. Brass Ring
3. Brass Nut
4. Corrugated Stainless Steel Piping



### Couplings

1. Brass Adapter Nipple
2. Brass Ring
3. Brass Nut
4. Corrugated Stainless Steel Piping



### T Fittings

1. Brass Adapter Nipple
2. Brass Ring
3. Brass Nut
4. Gasket
5. Corrugated Stainless Steel Piping