

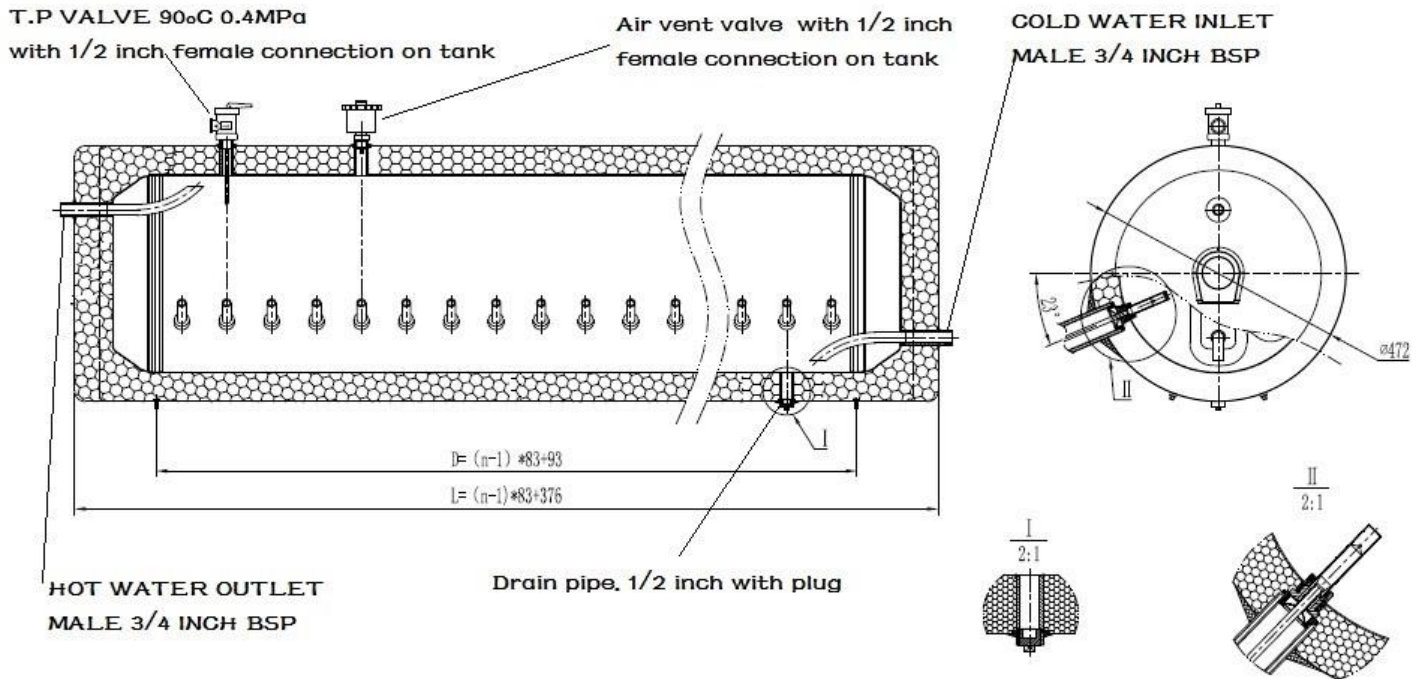
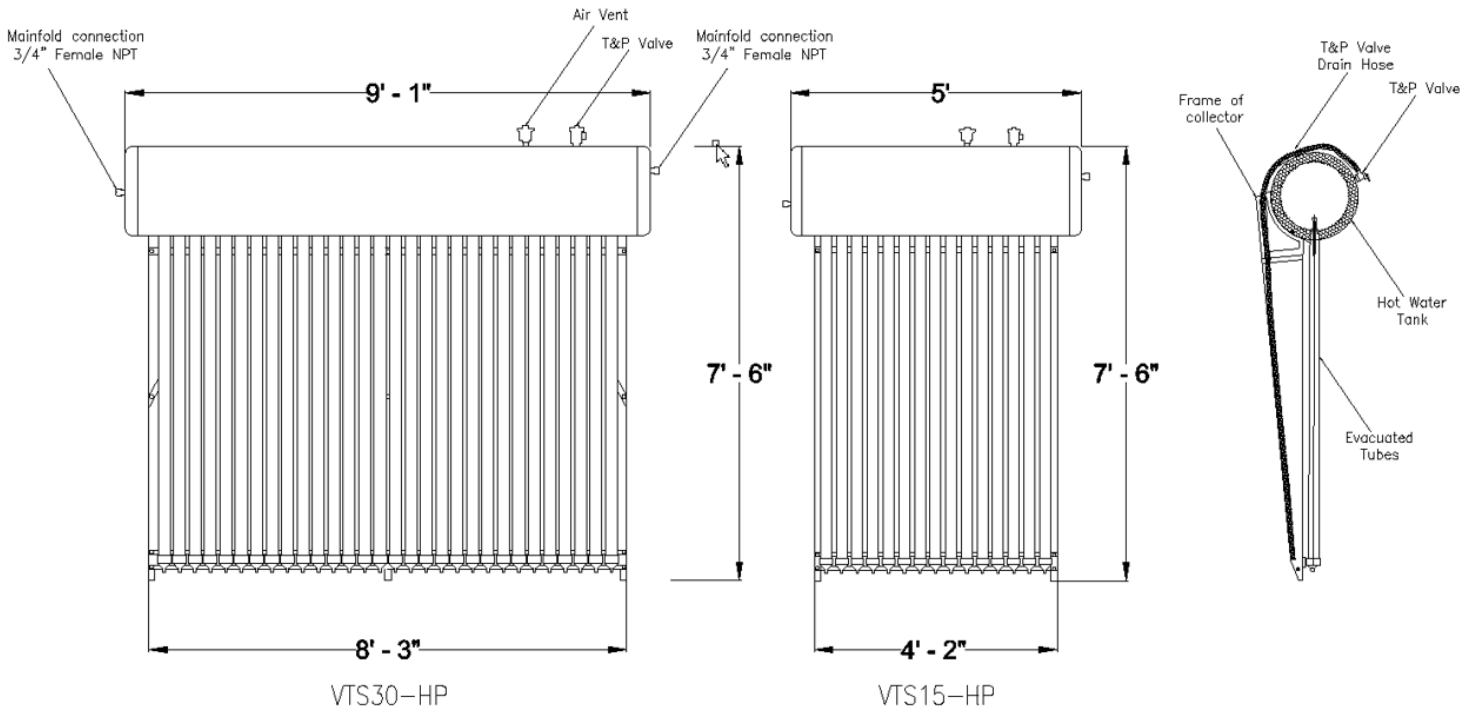


Technical Details	
Model	ThermoPower VTS HP G Series
Tube Length (in)/(m)	66 / 1.68
Outer Tube Diameter (in)/(mm)	2.66 / 67.6
Inner Tank Material	Stainless Steel SU316, 1.2mm
Outer Tank Material	Powder-coated, UV-resistant
Insulation Material	PUF 55mm
Frame Material	Aluminum Alloy
Flow Rate per Tube (gpm/lpm)	0.02 / 0.08
Operating Pressure (psi)/(bar)	58 / 1.4-4.8
Maximum Pressure (psi)/(bar)	97 / 10.3
Max Operating Temp (°F/°C)	194 / 90
Daily Efficiency	≥ 55
Fittings	3/4" NPTF

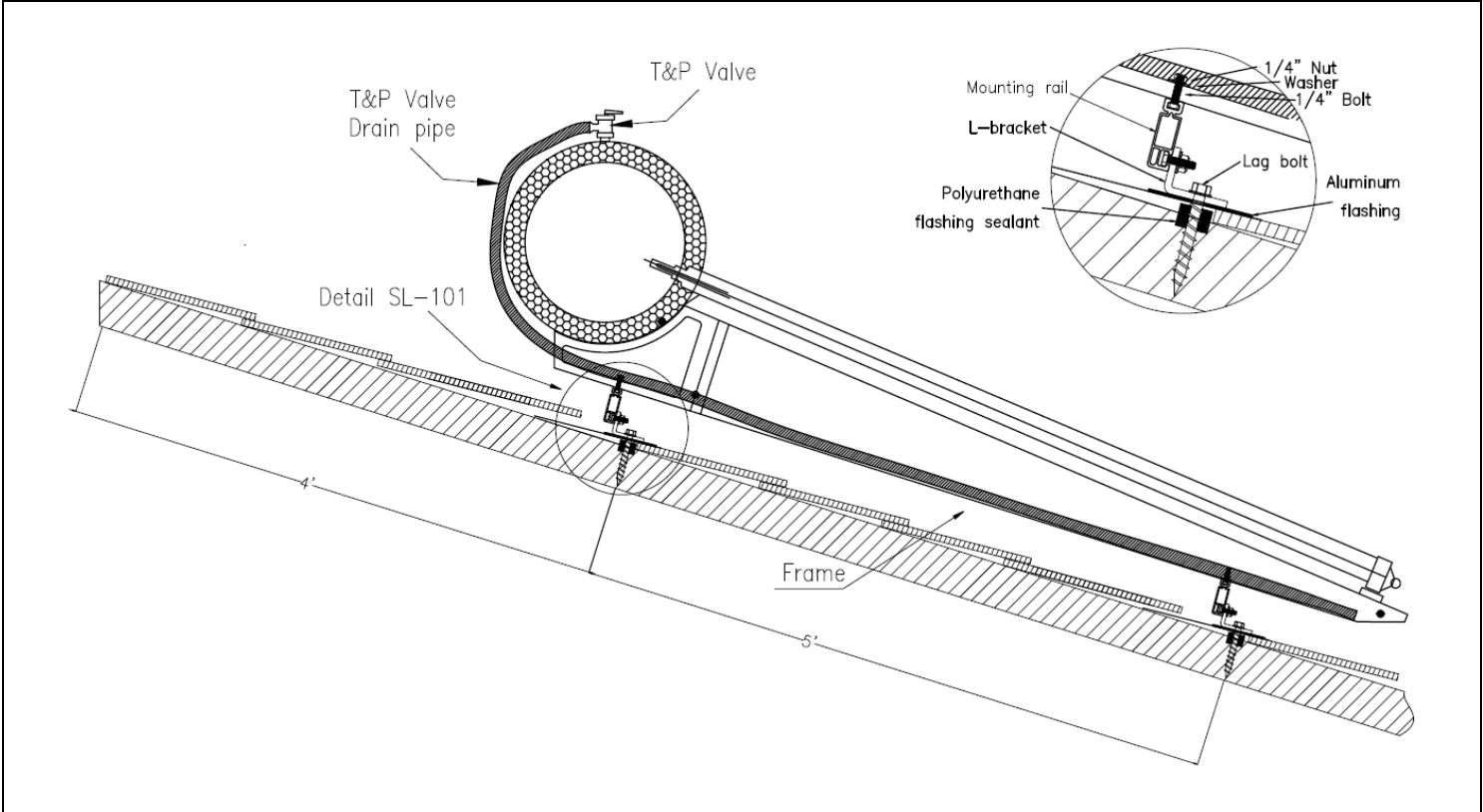
**Certifications & Standards**

- ✓ SRCC OG-100
- ✓ USEC UL 1703
- ✓ ASHRAE Std 93-1986
- ✓ ASTM E 330 (Wind Load Rating)
- ✓ 10 years warranty

Technical Details		
Model	ThermoPower-VTS-HP15-G	ThermoPower-VTS-HP30-G
Dimensions with tank (in)/(m)	60.0 x 90 / 1.52 x 2.29	109 x 90 / 2.77 x 2.29
Gross Area (ft <sup>2</sup> /m <sup>2</sup> )	24.46 / 2.27	47.9 / 4.45
Dry Weight (lbs/kg)	143 / 65	265 / 120
Filled Weight (lbs/kg)	474 / 215	926 / 420
Fluid Capacity (gal/L)	40 / 151.4	79 / 300
SRCC CERTIFICATION #	10002055	10002056



## Asphalt / metal roof mounting



## Tile roof mounting

