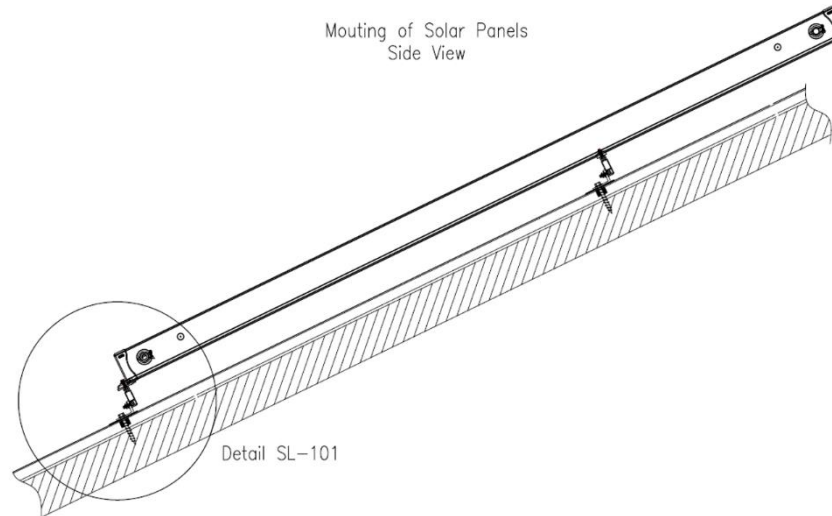
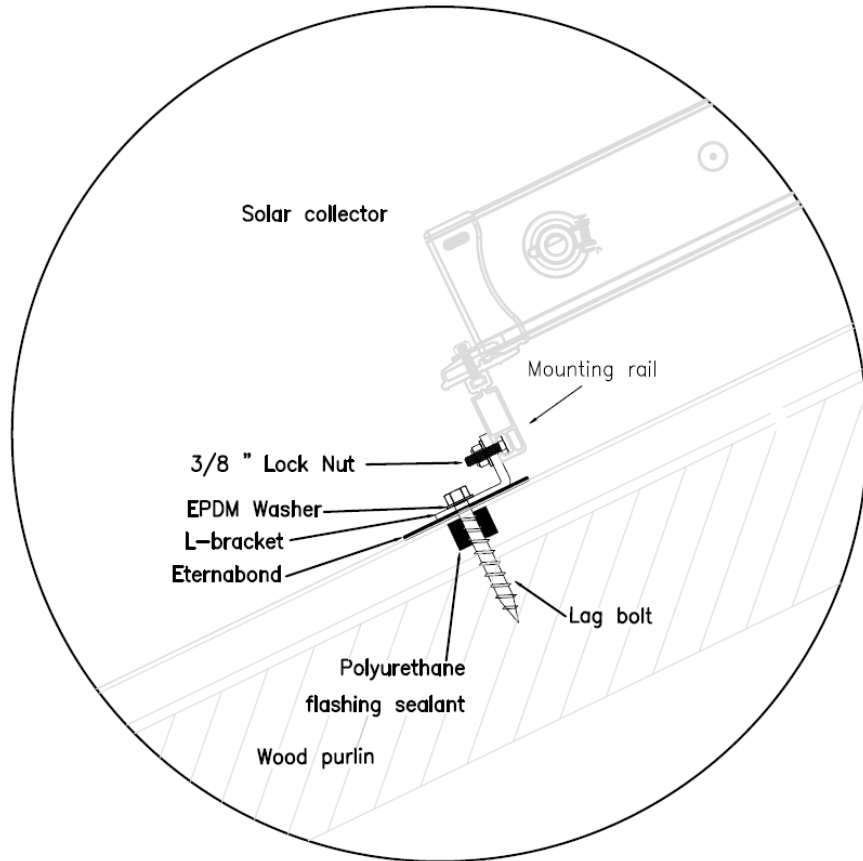


## Asphalt / Metal Roof – Flush Mount

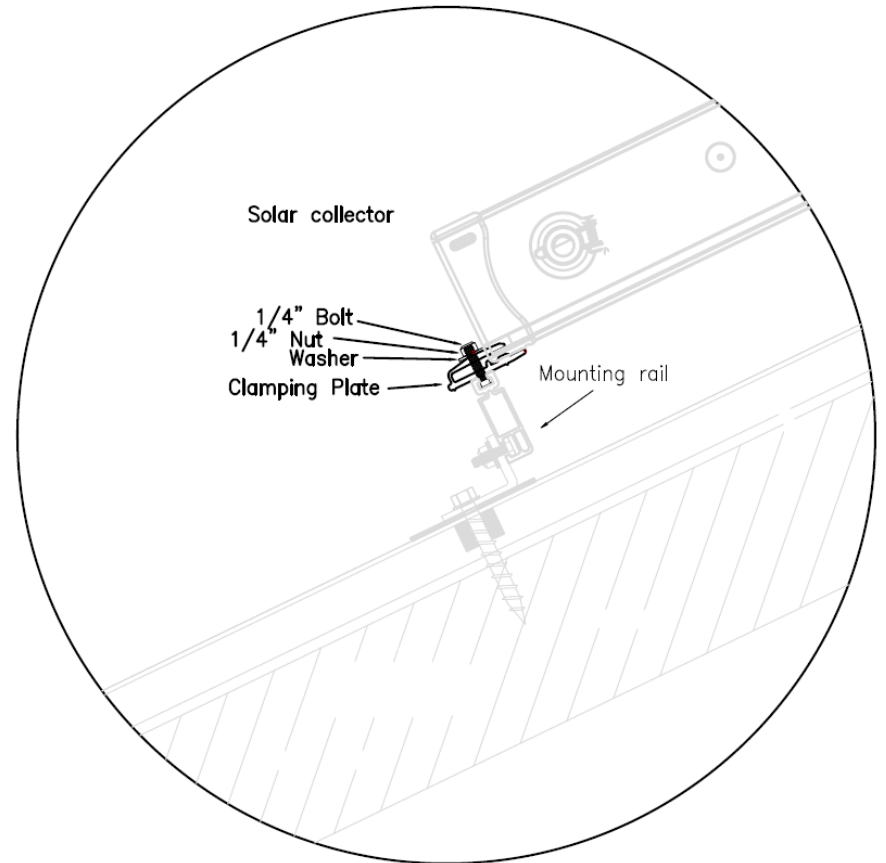


<b>Collector Model</b>	<b>TitanPowerPlus-ALDH29-V3</b>
<b>L-Bracket Mounting Set</b>	<b>ConnectMaxx-UV-AS-LBASEKIT (Asphalt Roof)</b> <b>ConnectMaxx-UV-M-LBASEKIT (Metal Roof)</b>
<b>List of components</b>	<b>Quantity</b>
L-bracket	1
EPDM Washer	1
Flashing (only in Asphalt Roof Kit)	1
3/8" (9.5 mm) Lag bolt	1
3/8" (9.5 mm) Lock Nut	1
<b>TPP Rail Mounting Set</b>	<b>ConnectMaxx-TPPALDH29-V3-CONNECTKIT</b>
<b>List of components</b>	<b>Quantity</b>
Clamping Plate	1
1/4" (6 mm) Bolt	1
1/4" (6 mm) Nut	1
1/4" (6 mm) Washer	1

**ConnectMaxx-UV-AS-LBASEKIT (Asphalt Roof)**  
**ConnectMaxx-UV-M-LBASEKIT (Metal Roof)**



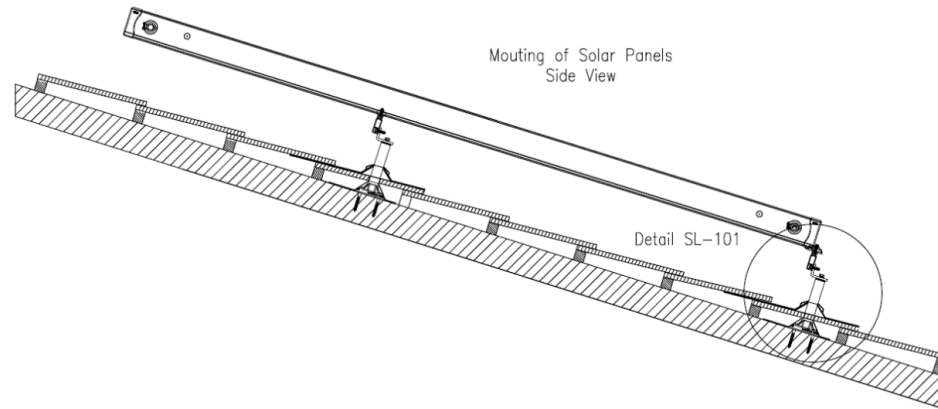
**ConnectMaxx-TPPALDH29-V3-CONNECTKIT**



TitanPowerPlus-ALDH29-V3 – Metal/Asphalt roof											
Collector Quantity											
	1	2	3	4	5	6	7	8	9	10	
ConnectMaxx-UV-AS-BASEKIT Quantity											
Rafter spacing [in]	12	8	16	22	30	38	46	52	60	68	76
	16	6	12	16	22	28	34	40	46	50	56
	20	4	10	14	18	22	28	32	36	40	46
	24	4	8	12	16	18	22	26	30	34	38
	28	4	6	10	12	16	20	22	26	30	32
	32	4	6	8	12	14	16	20	22	26	28
	36	4	6	8	10	12	16	18	20	22	26
ConnectMaxx-TPPALDH29-V3-CONNECTKIT Quantity											
	4	8	12	16	20	24	28	32	36	40	
Rail Quantity											
Total Rail length required [in]	90	182	272	362	452	544	634	724	816	906	
Single Rail length [in]	132	1	2	3	3	4	5	5	6	7	7
	168	1	2	2	3	3	4	4	5	5	6
	208	1	1	2	2	3	3	4	4	4	5
	240	1	1	2	2	2	3	3	4	4	4
	246	1	1	2	2	2	3	3	3	4	4

Rail length (in)/(m)	Product Code
132 / 3.35	ConnectMaxx-PV-Rail-132IN
168 / 4.27	ConnectMaxx-PV-Rail-168IN
208 / 5.28	ConnectMaxx-PV-Rail-208IN
240 / 6.10	ConnectMaxx-PV-Rail-240IN
246 / 6.25	ConnectMaxx-PV-Rail-246IN

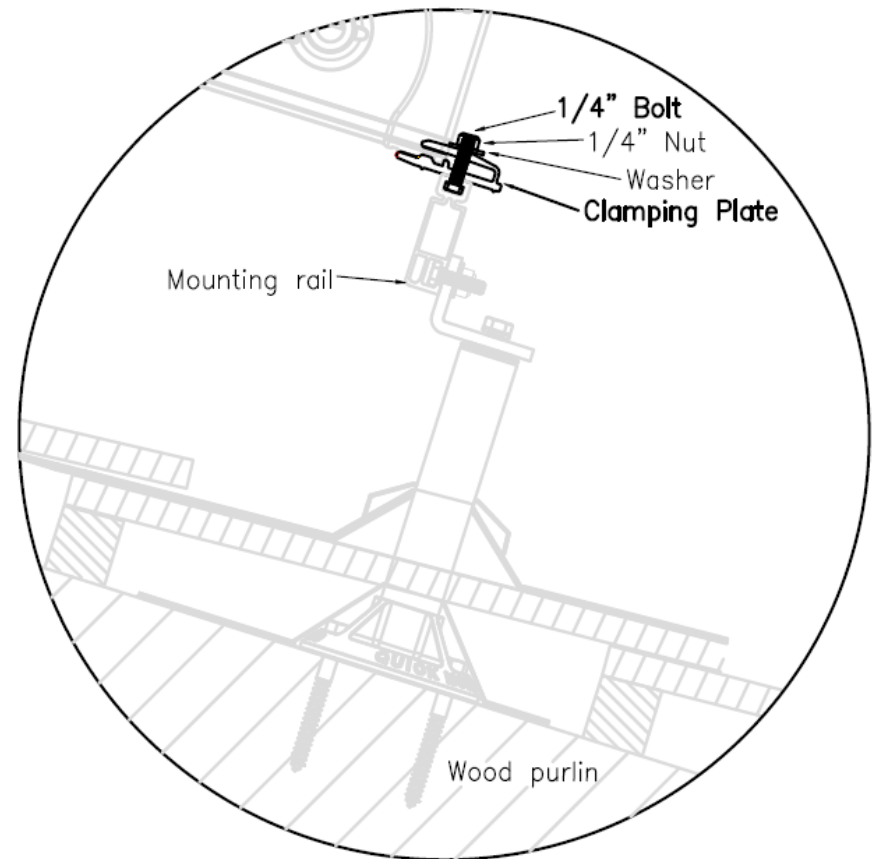
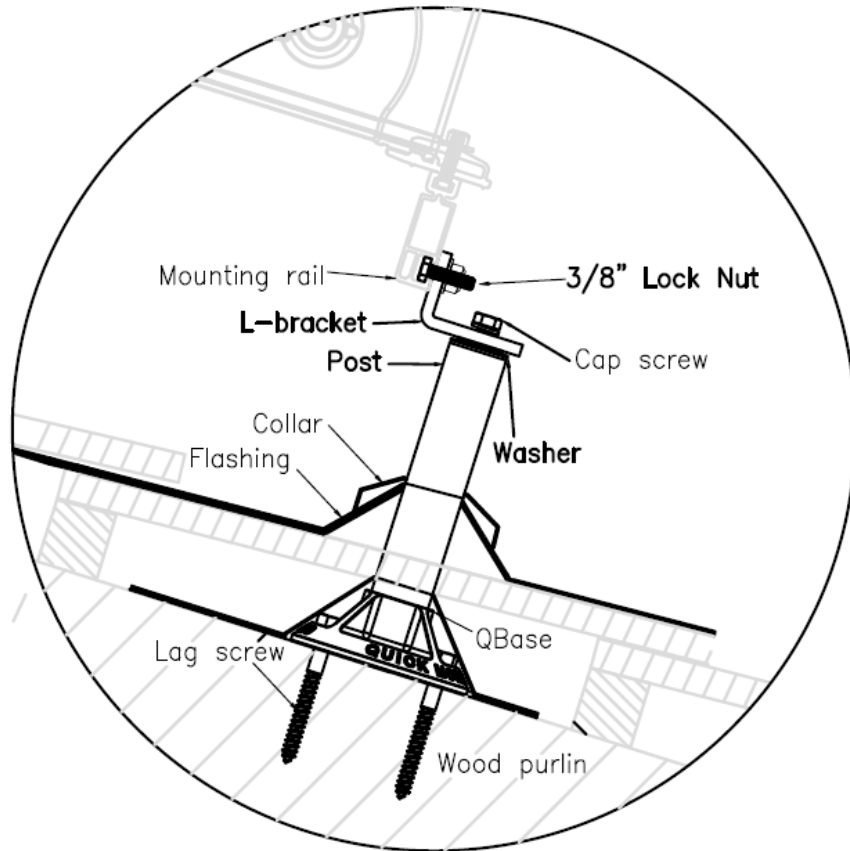
## Tile Roof – Flush Mount



<b>Collector Model</b>	<b>TitanPowerPlus-ALDH29-V3</b>
<b>QBase Mounting Set</b>	<b>ConnectMaxx-UV-W-QMUTM-TILE-5IN-V2-BASEKIT</b> <b>ConnectMaxx-UV-M-QMUTM-TILE-5IN-V2-BASEKIT</b>
<b>List of components</b>	<b>Quantity</b>
QBase:	1
• Cap screw	1
• Cap Washer	1
• Flashing	1
• Post	1
• Collar	1
L-bracket	1
3/8" (9.5 mm) Lock Nut	1
<b>TPP Rail Mounting Set</b>	<b>ConnectMaxx-TPPALDH29-V3-CONNECTKIT</b>
<b>List of components</b>	<b>Quantity</b>
Clamping Plate	1
1/4" (6 mm) Bolt	1
1/4" (6 mm) Nut	1
1/4" (6 mm) Washer	1

**ConnectMaxx-UV-W-QMUTM-TILE-5IN-V2-BASEKIT**  
**ConnectMaxx-UV-M-QMUTM-TILE-5IN-V2-BASEKIT**

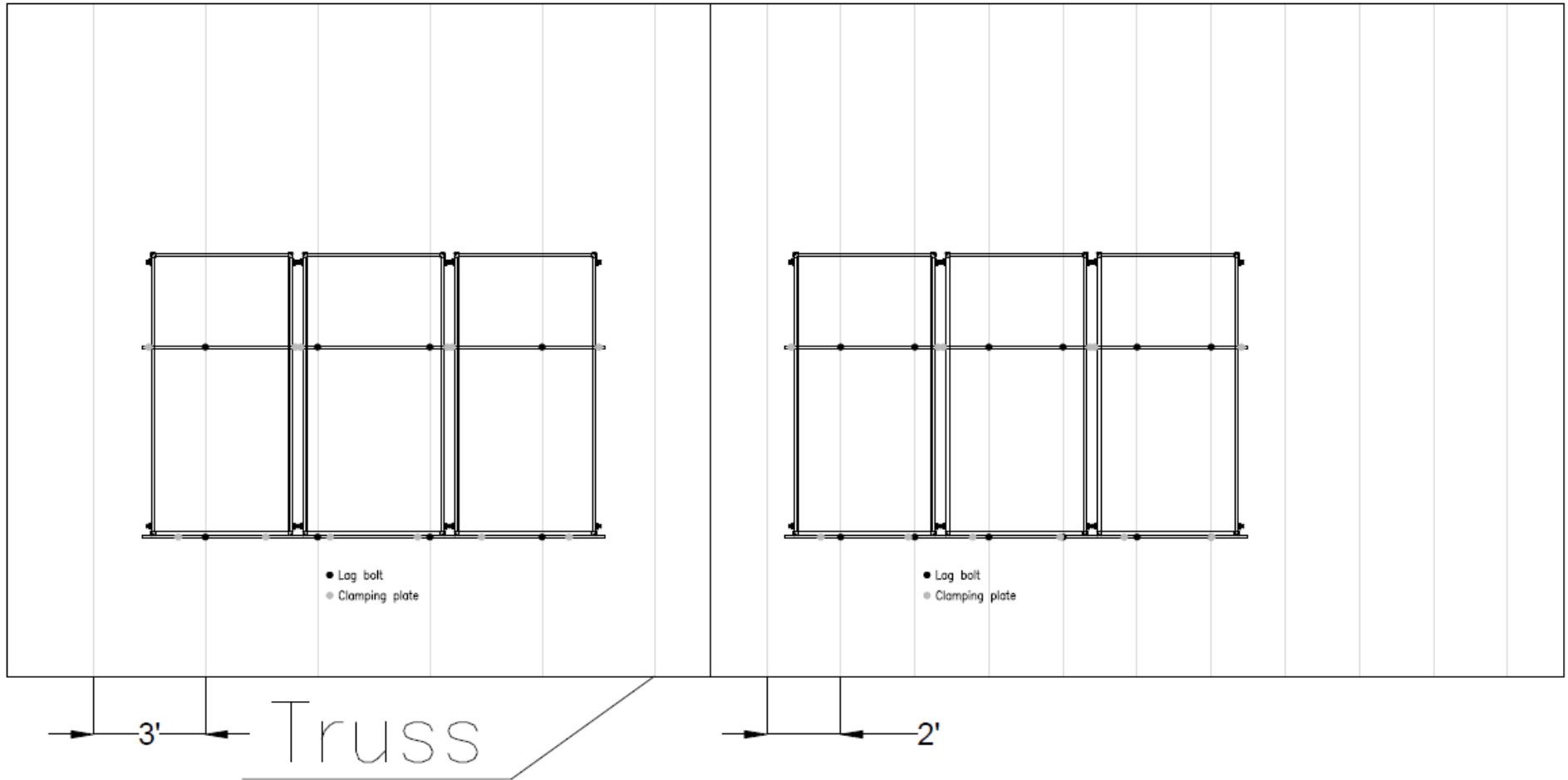
**ConnectMaxx-TPPALDH29-V3-CONNECTKIT**



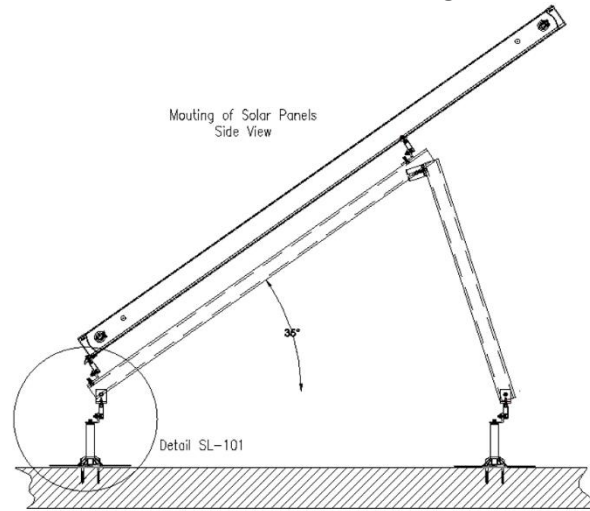
		TitanPowerPlus-ALDH29-V3 – Tile									
		Collector Quantity									
		1	2	3	4	5	6	7	8	9	10
		ConnectMaxx-UV-W-QMUTM-TILE-5IN-V2-BASEKIT / ConnectMaxx-UV-M-QMUTM-TILE-5IN-V2-BASEKIT Quantity									
Rafter spacing [in]	12	8	16	22	30	38	46	52	60	68	76
	16	6	12	16	22	28	34	40	46	50	56
	20	4	10	14	18	22	28	32	36	40	46
	24	4	8	12	16	18	22	26	30	34	38
	28	4	6	10	12	16	20	22	26	30	32
	32	4	6	8	12	14	16	20	22	26	28
	36	4	6	8	10	12	16	18	20	22	26
		ConnectMaxx-TPPALDH29-V3-CONNECTKIT Quantity									
		4	8	12	16	20	24	28	32	36	40
		Rails Quantity									
Total Rail length required [in]		90	182	272	362	452	544	634	724	816	906
Single Rail length [in]	132	1	2	3	3	4	5	5	6	7	7
	168	1	2	2	3	3	4	4	5	5	6
	208	1	1	2	2	3	3	4	4	4	5
	240	1	1	2	2	2	3	3	4	4	4
	246	1	1	2	2	2	3	3	3	4	4

Rail length (in)/(m)	Product Code
132 / 3.35	ConnectMaxx-PV-Rail-132IN
168 / 4.27	ConnectMaxx-PV-Rail-168IN
208 / 5.28	ConnectMaxx-PV-Rail-208IN
240 / 6.10	ConnectMaxx-PV-Rail-240IN
246 / 6.25	ConnectMaxx-PV-Rail-246IN

TitanPowerPlus-ALDH29-V3 mounting based on rafter spacing – example



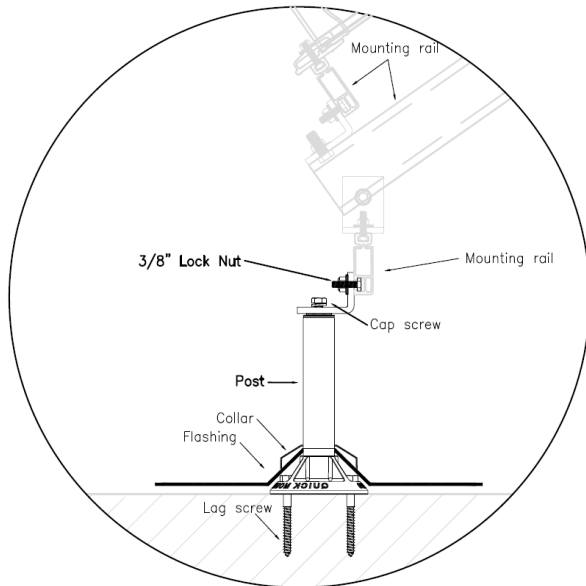
## Wooden / Metal Roof - Standing Position



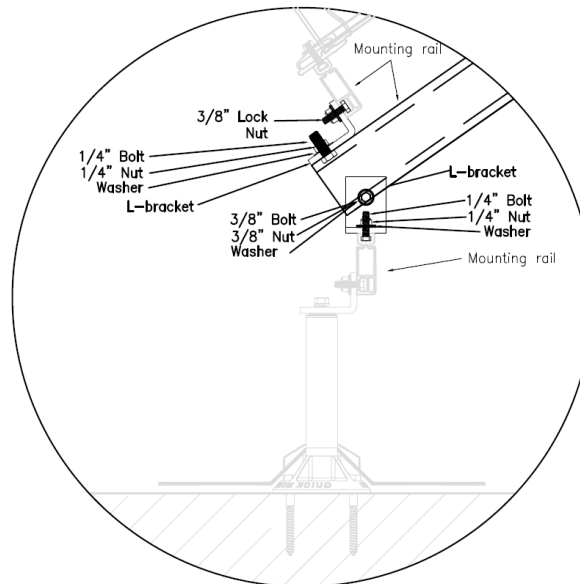
<b>Collector Model</b>	<b>TitanPowerPlus-ALDH29-V3</b>
<b>Standing QBase Mounting Set</b>	<b>ConnectMaxx-UV-W-QMUTM-STAND-5IN-V2 (Wooden Purlin) / ConnectMaxx-UV-M-QMUTM-STAND-5IN-V2 (Metal Purlin)</b>
<b>List of components</b>	<b>Quantity</b>
QBase:	2
• Cap screw + washer	2
• Flashing + collar	2
• Post	2
L-bracket	2
Lag screw	4
3/8" (9.5 mm) Lock Nut	2
<b>QBase Frame Set</b>	<b>ConnectMaxx-UV-QMUTM-STAND-AFRAME</b>
<b>List of components</b>	<b>Quantity</b>
Universal A-frame	1
1/4" (6 mm) Bolt	2
1/4" (6 mm) Nut	2
1/4" (6 mm) Washer	2
3/8" (9.5 mm) Lock Nut	2

TPP Rail Mounting Set	ConnectMaxx-TPPALDH29-V3-CONNECTKIT
List of components	Quantity
Clamping Plate	1
1/4" (6 mm) Bolt	1
1/4" (6 mm) Nut	1
1/4" (6 mm) Washer	1

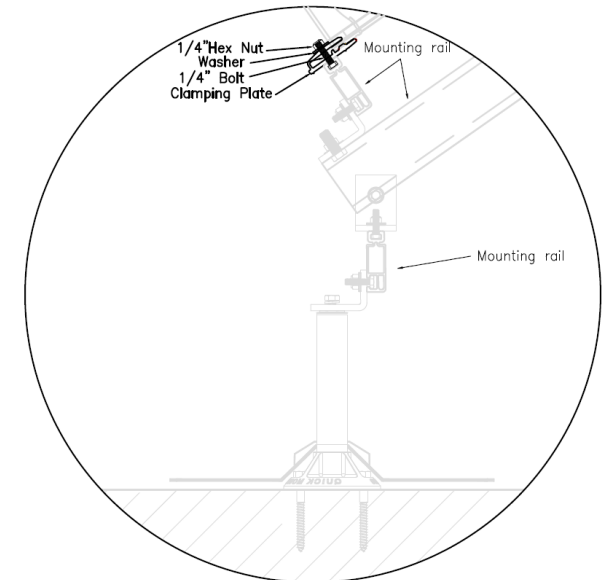
**ConnectMaxx-UV-W-QMUTM-STAND-5IN-V2**  
(Wooden Purlin)  
**ConnectMaxx-UV-M-QMUTM-STAND-5IN-V2**  
(Metal Purlin)



**ConnectMaxx-UV-QMUTM-STAND-AFRAME**

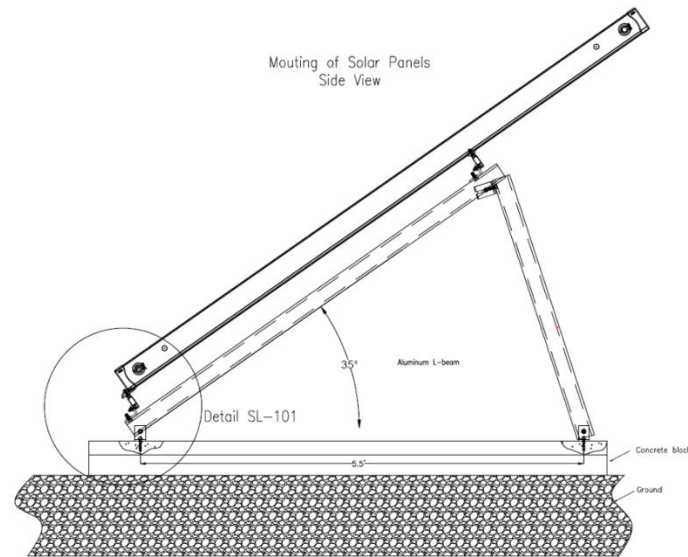


**ConnectMaxx-TPPALDH29-V3-CONNECTKIT**



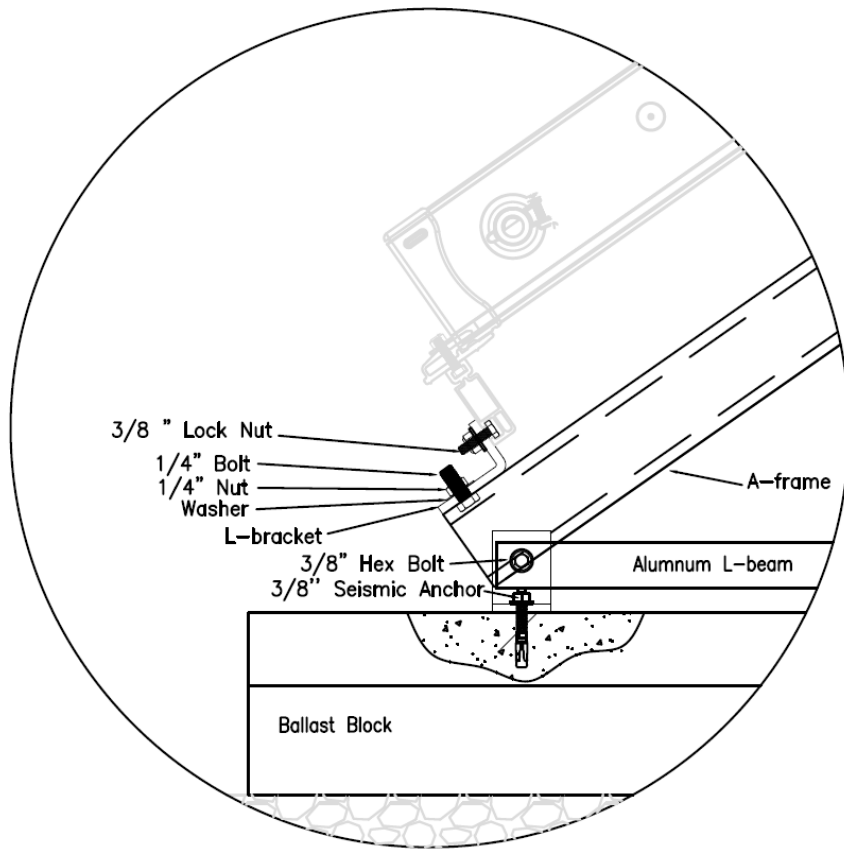
TitanPowerPlus-ALDH29-V3 - standing position											
Collector Quantity											
	1	2	3	4	5	6	7	8	9	10	
ConnectMaxx-UV-W-QMUTM-TILE-5IN-V2-BASEKIT / ConnectMaxx-UV-M-QMUTM-STAND-5IN-V2 Quantity											
Rafter spacing [in]	12	4	8	12	16	19	23	27	31	34	38
	16	3	6	9	12	15	17	20	23	26	29
	20	3	5	7	10	12	14	16	19	21	23
	24	2	4	6	8	10	12	14	16	17	19
	28	2	4	5	7	9	10	12	13	15	17
	32	2	3	5	6	8	9	10	12	13	15
	36	2	3	4	6	7	8	9	11	12	13
ConnectMaxx-UV-QMUTM-STAND-AFRAME											
	1	2	3	4	5	6	7	8	9	10	
ConnectMaxx-TPPALDH29-V3-CONNECTKIT Quantity											
	4	4	4	4	4	4	4	4	4	4	
Rails Quantity											
Total Rail length required [in]	180	364	544	724	904	1088	1268	1448	1632	1812	
Single Rail length [in]	132	2	3	5	6	7	9	10	11	13	14
	168	2	3	4	5	6	7	8	9	10	11
	208	1	2	3	4	5	6	7	7	8	9
	240	1	2	3	4	4	5	6	7	7	8
	246	1	2	3	3	4	5	6	6	7	8

## Ground mount

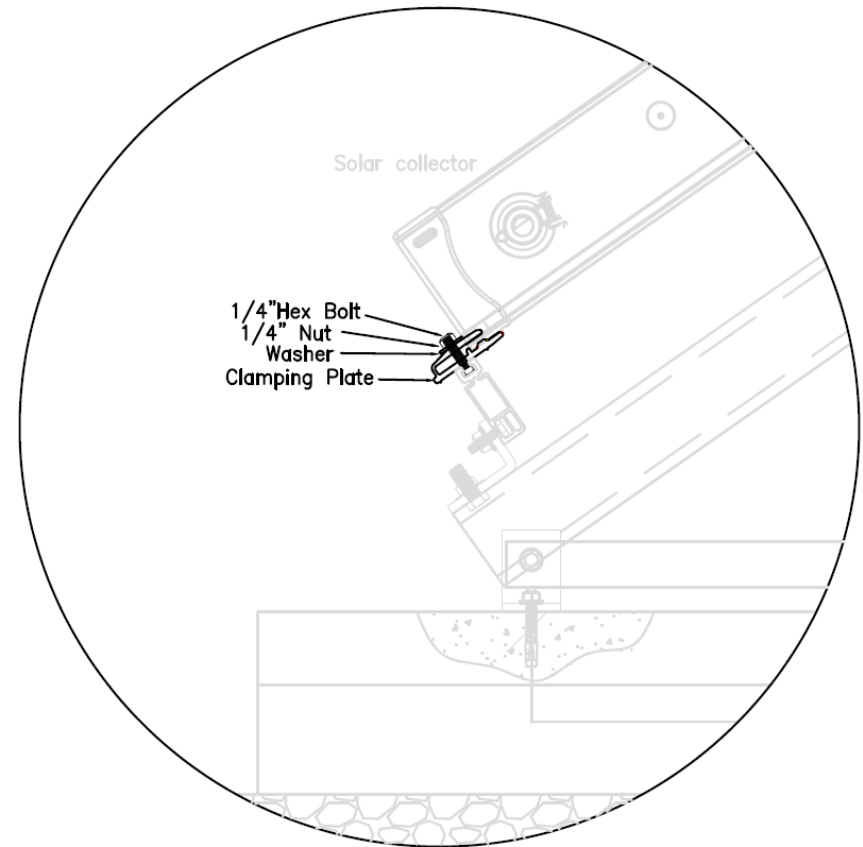


<b>Collector Model</b>	<b>TitanPowerPlus-ALDH29-V3</b>
<b>Ground Mounting Set</b>	<b>ConnectMaxx-UV-C-AFRAMEBALLASTBASEKIT</b>
<b>List of components</b>	<b>Quantity</b>
3/8" x 3-3/4" Seismic Anchor	2
Ballast block	1
Universal A-frame	1
3/8" (9.5 mm) Locknut	2
<b>TPP Rail Mounting Set</b>	<b>ConnectMaxx-TPPALDH29-V3-CONNECTKIT</b>
<b>List of components</b>	<b>Quantity</b>
Clamping Plate	1
1/4" (6 mm) Bolt	1
1/4" (6 mm) Nut	1
1/4" (6 mm) Washer	1

**ConnectMaxx-UV-C-AFRAMEBALLASTBASEKIT**



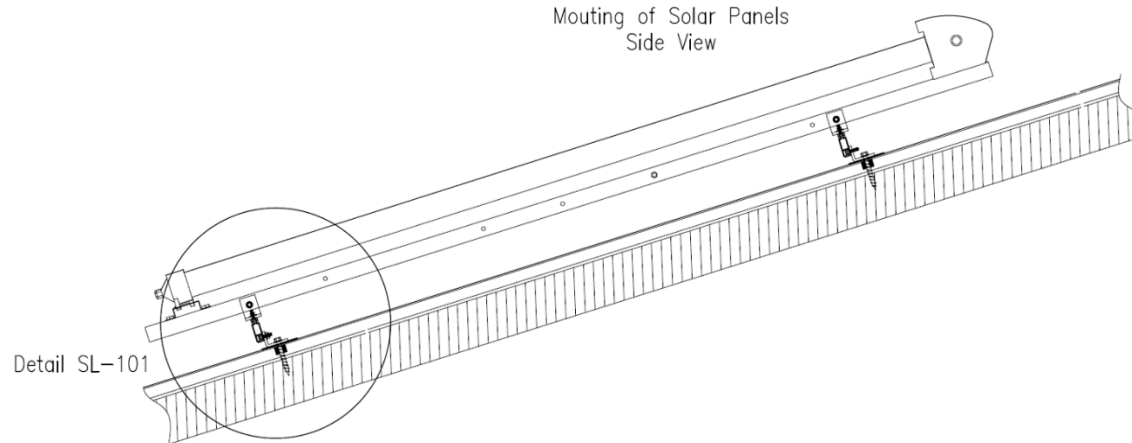
**ConnectMaxx-TPPALDH29-V3-CONNECTKIT**



		TitanPowerPlus-ALDH29-V3 - ground									
		Collector Quantity									
		1	2	3	4	5	6	7	8	9	10
		ConnectMaxx-UV-C-AFRAMEBALLASTBASEKIT									
		1	2	3	4	5	6	7	8	9	10
		ConnectMaxx-TPPALDH29-V3-CONNECTKIT Quantity									
		4	8	12	16	20	24	28	32	36	40
		Rail Quantity									
Total Rail length required [in]		90	182	272	362	452	544	634	724	816	906
Single Rail length [in]	132	1	2	3	3	4	5	5	6	7	7
	168	1	2	2	3	3	4	4	5	5	6
	208	1	1	2	2	3	3	4	4	4	5
	240	1	1	2	2	2	3	3	4	4	4
	246	1	1	2	2	2	3	3	3	4	4

Rail length (in)/(m)	Product Code
132 / 3.35	ConnectMaxx-PV-Rail-132IN
168 / 4.27	ConnectMaxx-PV-Rail-168IN
208 / 5.28	ConnectMaxx-PV-Rail-208IN
240 / 6.10	ConnectMaxx-PV-Rail-240IN
246 / 6.25	ConnectMaxx-PV-Rail-246IN

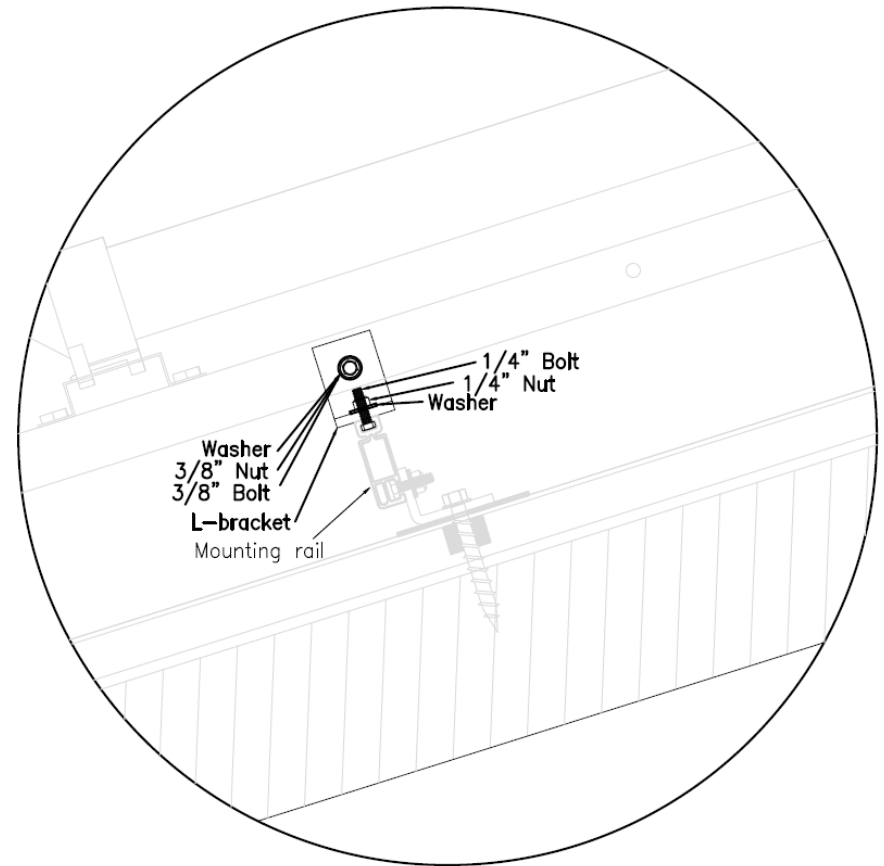
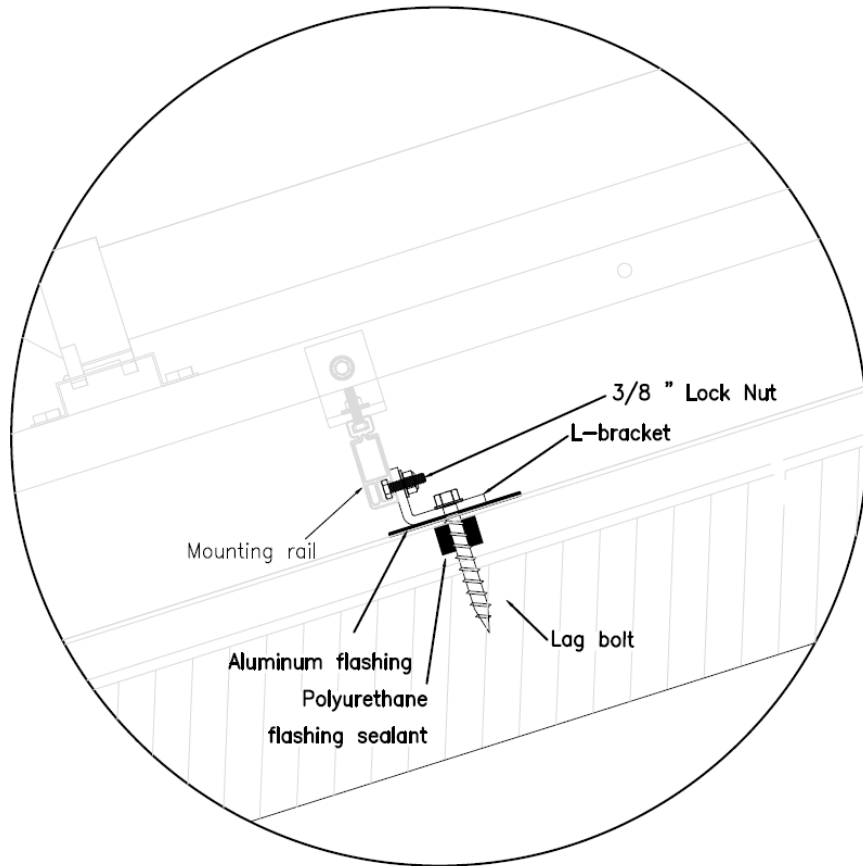
## Asphalt / Metal Roof – Flush Mount



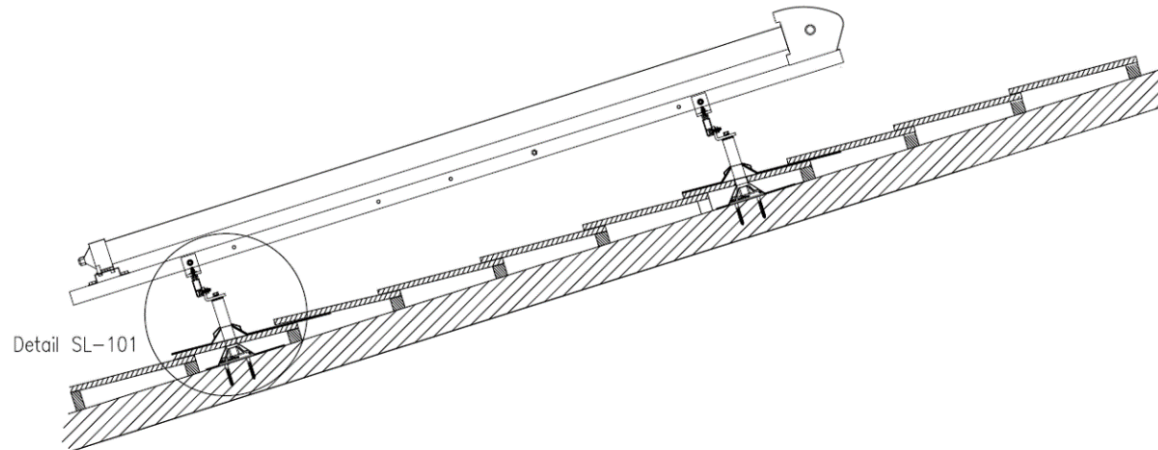
<b>Collector Model</b>	<b>ThermoPower-VDF20 / ThermoPower-VDF30</b>
<b>L-Bracket Mounting Set</b>	<b>ConnectMaxx-UV-AS-LBASEKIT (Asphalt Roof) ConnectMaxx-UV-M-LBASEKIT (Metal Roof)</b>
<b>List of components</b>	<b>Quantity</b>
L-bracket	1
EPDM Washer	1
Flashing	1
Lag bolt	1
3/8" (9.5 mm) Lock Nut	1
<b>Rail L-bracket Mounting Set</b>	<b>ConnectMaxx-UV-CONNECTKIT</b>
L-bracket	1
3/8" (9.5 mm) Bolt	1
3/8" (9.5 mm) Nut	1
3/8" (9.5 mm) Washer	1
1/4" (6 mm) Bolt	1
1/4" (6 mm) Nut	1
1/4" (6 mm) Washer	1

**ConnectMaxx-UV-AS-LBASEKIT (Asphalt Roof)**  
**ConnectMaxx-UV-M-LBASEKIT (Metal Roof)**

**ConnectMaxx-UV-CONNECTKIT**



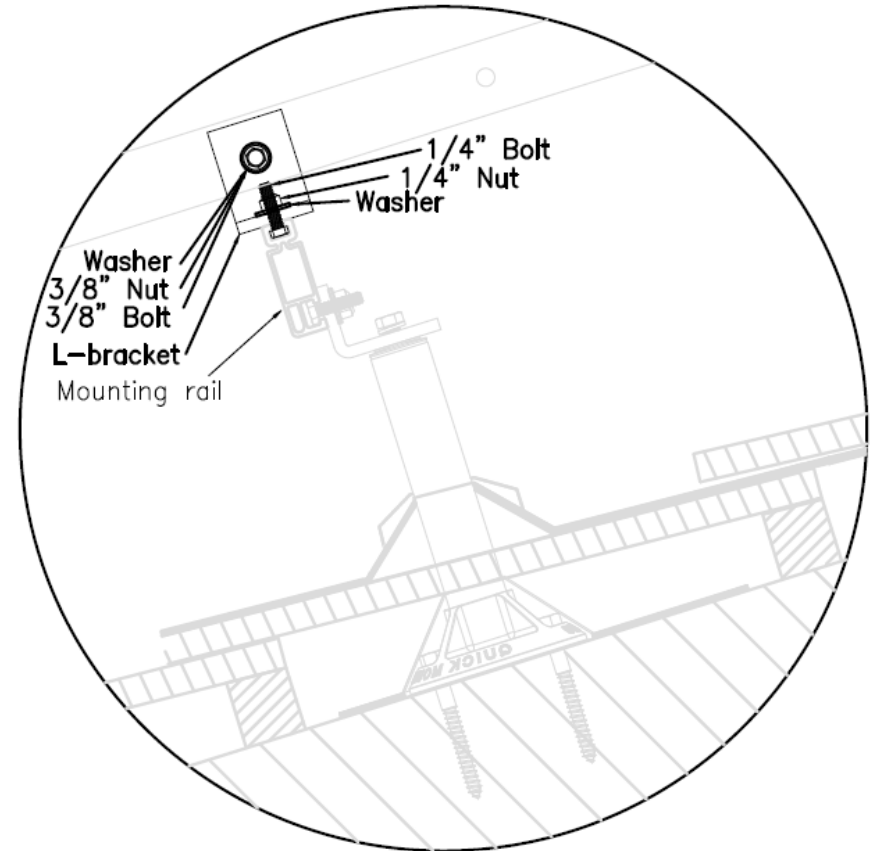
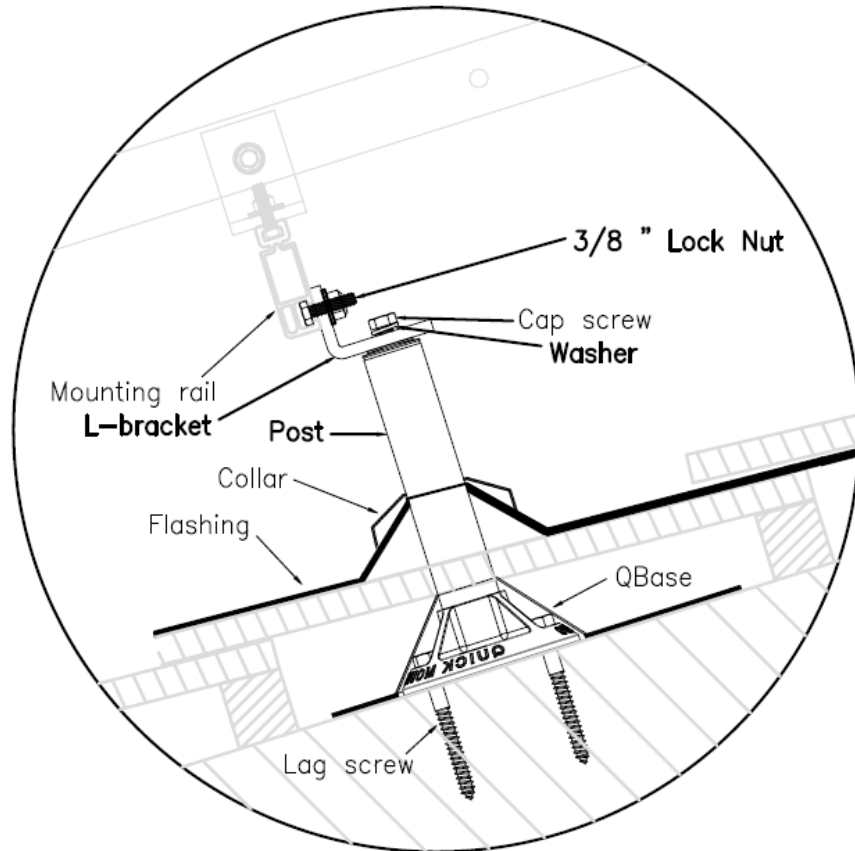
## Tile Roof - Flush Mount



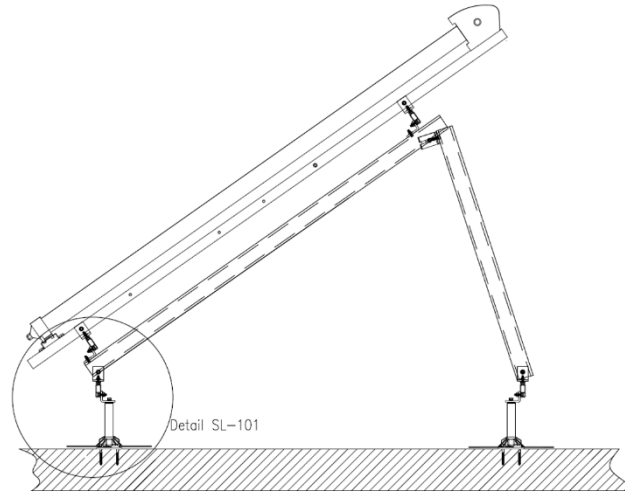
<b>Collector Model</b>	<b>ThermoPower-VDF20 / ThermoPower-VDF30</b>
<b>QBase Mounting Set</b>	<b>ConnectMaxx-UV-W-QMUTM-TILE-5IN-V2-BASEKIT ConnectMaxx-UV-M-QMUTM-TILE-5IN-V2-BASEKIT</b>
<b>List of components</b>	<b>Quantity</b>
QBase:	1
• Cap screw + washer	1
• Flashing + collar	1
• Post	1
L-bracket	1
Lag screw	2
3/8" (9.5 mm) Lock Nut	1
<b>Rail L-Bracket Mounting Set</b>	<b>ConnectMaxx-UV-CONNECTKIT</b>
<b>List of components</b>	<b>Quantity</b>
L-bracket	1
3/8" (9.5 mm) Bolt	1
3/8" (9.5 mm) Nut	1
3/8" (9.5 mm) Washer	1
1/4" (6 mm) Bolt	1
1/4" (6 mm) Nut	1
1/4" (6 mm) Washer	1

**ConnectMaxx-UV-W-QMUTM-TILE-5IN-V2-BASEKIT**  
**ConnectMaxx-UV-M-QMUTM-TILE-5IN-V2-BASEKIT**

**ConnectMaxx-UV-CONNECTKIT**



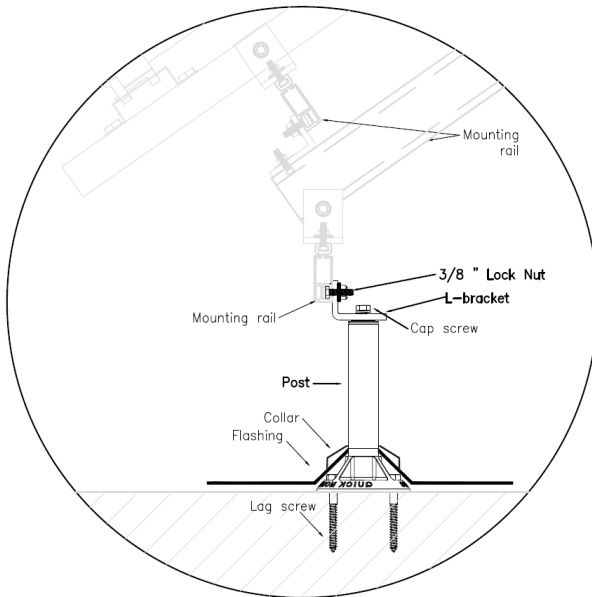
## Wooden / Metal Roof – Standing Position



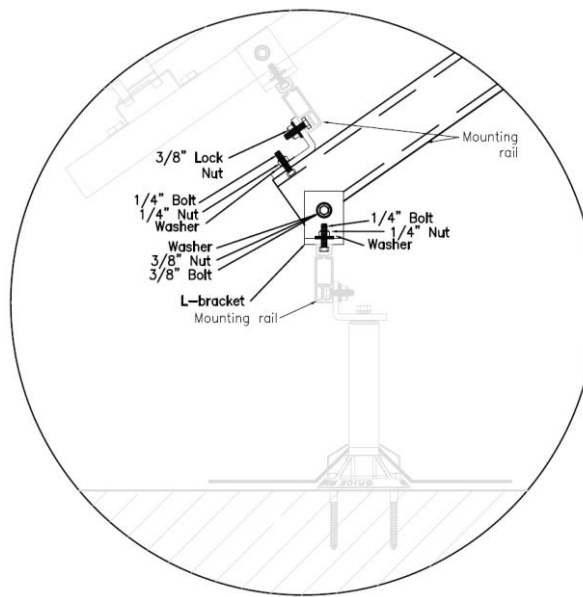
<b>Collector Model</b>	<b>ThermoPower-VDF20 / ThermoPower-VDF30</b>
<b>Standing QBase Mounting Set</b>	<b>ConnectMaxx-UV-W-QMUTM-STAND-5IN-V2 (Wooden Purlin)</b> <b>ConnectMaxx-UV-M-QMUTM-STAND-5IN-V2 (Metal Purlin)</b>
<b>List of components</b>	<b>Quantity</b>
QBase:	2
• Cap screw + washer	2
• Flashing + collar	2
• Post	2
L-bracket	2
Lag screw	4
3/8" (9.5 mm) Lock Nut	2
<b>QBase Frame Set</b>	<b>ConnectMaxx-UV-QMUTM-STAND-AFRAME</b>
<b>List of components</b>	<b>Quantity</b>
Universal A-frame	1
1/4" (6 mm) Bolt	2
1/4" (6 mm) Nut	2
1/4" (6 mm) Washer	2
3/8" (9.5 mm) Lock Nut	2

Rail L-bracket Mounting Set	ConnectMaxx-UV-CONNECTKIT
L-bracket	1
3/8" (9.5 mm) Bolt	1
3/8" (9.5 mm) Nut	1
3/8" (9.5 mm) Washer	1
1/4" (6 mm) Bolt	1
1/4" (6 mm) Nut	1
1/4" (6 mm) Washer	1

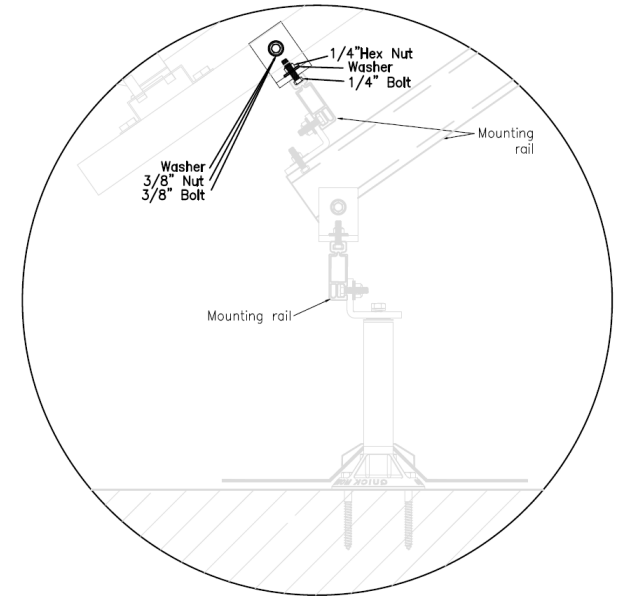
**ConnectMaxx-UV-W-QMUTM-STAND-5IN-V2**  
**(Wooden Purlin)**  
**ConnectMaxx-UV-M-QMUTM-STAND-5IN-V2**  
**(Metal Purlin)**



**ConnectMaxx-UV-QMUTM-STAND-AFRAME**



**ConnectMaxx-UV-CONNECTKIT**



		ThermoPower-VDF20*									
		Collector Quantity									
		1	2	3	4	5	6	7	8	9	10
		ConnectMaxx-UV-AS-BASEKIT / ConnectMaxx-UV-W-QMUTM-TILE-5IN-V2-BASEKIT / ConnectMaxx-UV-M-QMUTM-TILE-5IN-V2-BASEKIT Quantity									
Rafter spacing [in]	12	10	20	30	40	50	60	70	80	90	100
	16	8	16	22	30	38	46	52	60	68	76
	20	6	12	18	24	30	36	42	48	54	60
	24	6	10	16	20	26	30	36	40	46	50
	28	4	8	12	18	22	26	30	34	38	42
	32	4	8	12	16	18	22	26	30	34	38
	36	4	6	10	14	16	20	24	26	30	34
		ConnectMaxx-UV-CONNECTKIT Quantity									
		4	8	12	16	20	24	28	32	36	40
		Rail Quantity									
Total Rail length required [in]	120	240	360	480	600	720	840	960	1080	1200	
Single Rail length [in]	132	1	2	3	4	5	6	7	8	9	10
	168	1	2	3	3	4	5	5	6	7	8
	208	1	2	2	3	3	4	5	5	6	6
	240	1	1	2	2	3	3	4	4	5	5
	246	1	1	2	2	3	3	4	4	5	5

\*Table applicable to every type of roof

Rail length (in)/(m)	Product Code
132 / 3.35	ConnectMaxx-PV-Rail-132IN
168 / 4.27	ConnectMaxx-PV-Rail-168IN
208 / 5.28	ConnectMaxx-PV-Rail-208IN
240 / 6.10	ConnectMaxx-PV-Rail-240IN
246 / 6.25	ConnectMaxx-PV-Rail-246IN

		ThermoPower-VDF30*									
		Collector Quantity									
		1	2	3	4	5	6	7	8	9	10
		ConnectMaxx-UV-AS-BASEKIT / ConnectMaxx-UV-W-QMUTM-TILE-5IN-V2-BASEKIT / ConnectMaxx-UV-M-QMUTM-TILE-5IN-V2-BASEKIT Quantity									
Rafter spacing [in]	12	14	30	44	58	72	88	102	116	132	146
	16	10	22	32	44	54	66	76	88	98	110
	20	8	18	26	34	44	52	62	70	78	88
	24	8	14	22	30	36	44	50	58	66	72
	28	6	12	18	24	32	38	44	50	56	62
	32	6	10	16	22	28	32	38	44	50	54
	36	4	10	14	20	24	30	34	38	44	48
		ConnectMaxx-UV-CONNECTKIT Quantity									
		4	8	12	16	20	24	28	32	36	40
		Rail Quantity									
Total Rail length required [in]		174	350	524	700	874	1048	1224	1398	1574	1748
Single Rail length [in]	132	2	3	4	6	7	8	10	11	12	14
	168	2	3	4	5	6	7	8	9	10	11
	208	1	2	3	4	5	6	6	7	8	9
	240	1	2	3	3	4	5	6	6	7	8
	246	1	2	3	3	4	5	5	6	7	8

\*Table applicable to every type of roof

Rail length (in)/(m)	Product Code
132 / 3.35	ConnectMaxx-PV-Rail-132IN
168 / 4.27	ConnectMaxx-PV-Rail-168IN
208 / 5.28	ConnectMaxx-PV-Rail-208IN
240 / 6.10	ConnectMaxx-PV-Rail-240IN
246 / 6.25	ConnectMaxx-PV-Rail-246IN

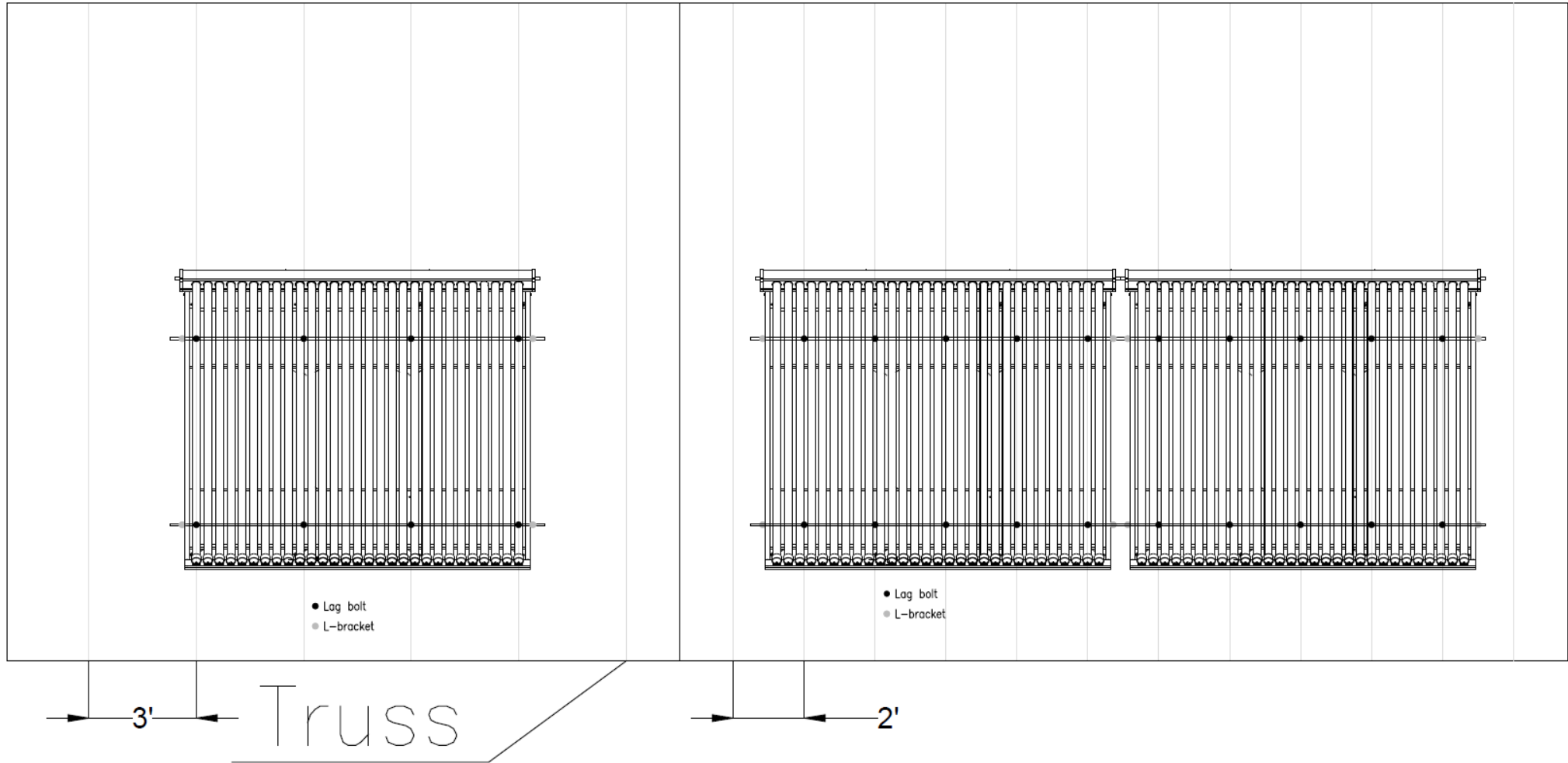
		ThermoPower-VDF20* - standing position									
		Collector Quantity									
		1	2	3	4	5	6	7	8	9	10
		ConnectMaxx-UV-W-QMUTM-STAND-5IN-V2 / ConnectMaxx-UV-M-QMUTM-STAND-5IN-V2 Quantity									
Rafter spacing [in]	12	5	10	15	20	25	30	35	40	45	50
	16	4	8	12	15	19	23	27	30	34	38
	20	3	6	9	12	15	18	21	24	27	30
	24	3	5	8	10	13	15	18	20	23	25
	28	3	5	7	9	11	13	15	18	20	22
	32	2	4	6	8	10	12	14	15	17	19
	36	2	4	5	7	9	10	12	14	15	17
		ConnectMaxx-UV-CONNECTKIT Quantity									
		4	8	12	16	20	24	28	32	36	40
		Rail Quantity									
Total Rail length required [in]		240	480	720	960	1200	1440	1680	1920	2160	2400
Single Rail length [in]	2	4	6	8	10	11	13	15	17	19	10
	2	3	5	6	8	9	10	12	13	15	8
	2	3	4	5	6	7	9	10	11	12	6
	1	2	3	4	5	6	7	8	9	10	5
	1	2	3	4	5	6	7	8	9	10	5

Rail length (in)/(m)	Product Code
132 / 3.35	ConnectMaxx-PV-Rail-132IN
168 / 4.27	ConnectMaxx-PV-Rail-168IN
208 / 5.28	ConnectMaxx-PV-Rail-208IN
240 / 6.10	ConnectMaxx-PV-Rail-240IN
246 / 6.25	ConnectMaxx-PV-Rail-246IN

		ThermoPower-VDF30* - standing position									
		Collector Quantity									
		1	2	3	4	5	6	7	8	9	10
		ConnectMaxx-UV-W-QMUTM-STAND-5IN-V2 / ConnectMaxx-UV-S-QMUTM-STAND-5IN-V2 Quantity									
Rafter spacing [in]	12	8	15	22	30	37	44	51	59	66	73
	16	6	11	17	22	28	33	39	44	50	55
	20	5	9	14	18	22	27	31	35	40	44
	24	4	8	11	15	19	22	26	30	33	37
	28	4	7	10	13	16	19	22	25	29	32
	32	3	6	9	11	14	17	20	22	25	28
	36	3	5	8	10	13	15	17	20	22	25
		ConnectMaxx-UV-CONNECTKIT Quantity									
		4	8	12	16	20	24	28	32	36	40
		Rail Quantity									
Total Rail length required [in]		348	700	1048	1400	1748	2096	2448	2796	3148	3496
Single Rail length [in]	132	3	6	8	11	14	16	19	22	24	27
	168	3	5	7	9	11	13	15	17	19	21
	208	2	4	6	7	9	11	12	14	16	17
	240	2	3	5	6	8	9	11	12	14	15
	246	2	3	5	6	8	9	10	12	13	15

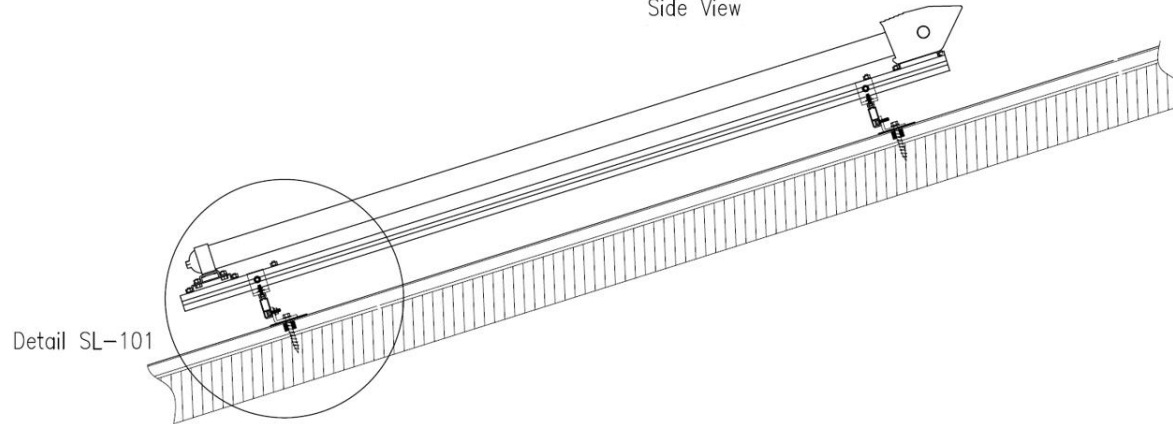
Rail length (in)/(m)	Product Code
132 / 3.35	ConnectMaxx-PV-Rail-132IN
168 / 4.27	ConnectMaxx-PV-Rail-168IN
208 / 5.28	ConnectMaxx-PV-Rail-208IN
240 / 6.10	ConnectMaxx-PV-Rail-240IN
246 / 6.25	ConnectMaxx-PV-Rail-246IN

ThermoPower-VDF30 mounting based on rafter spacing – example



## Asphalt / Metal Roof – Flush Mount

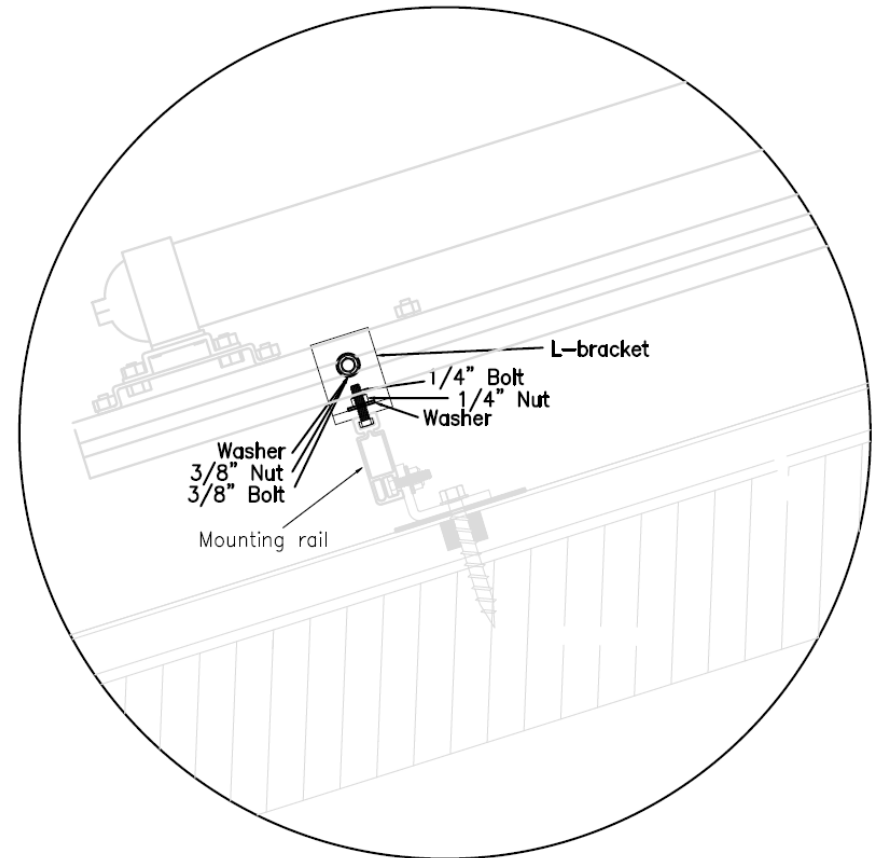
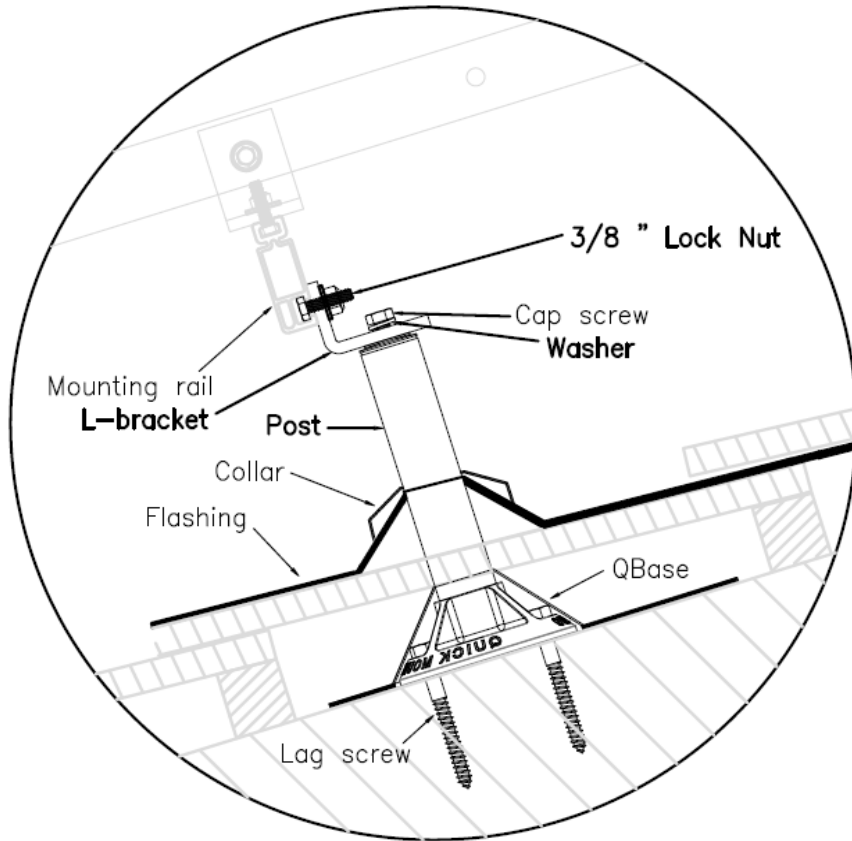
Mounting of Solar Panels  
Side View



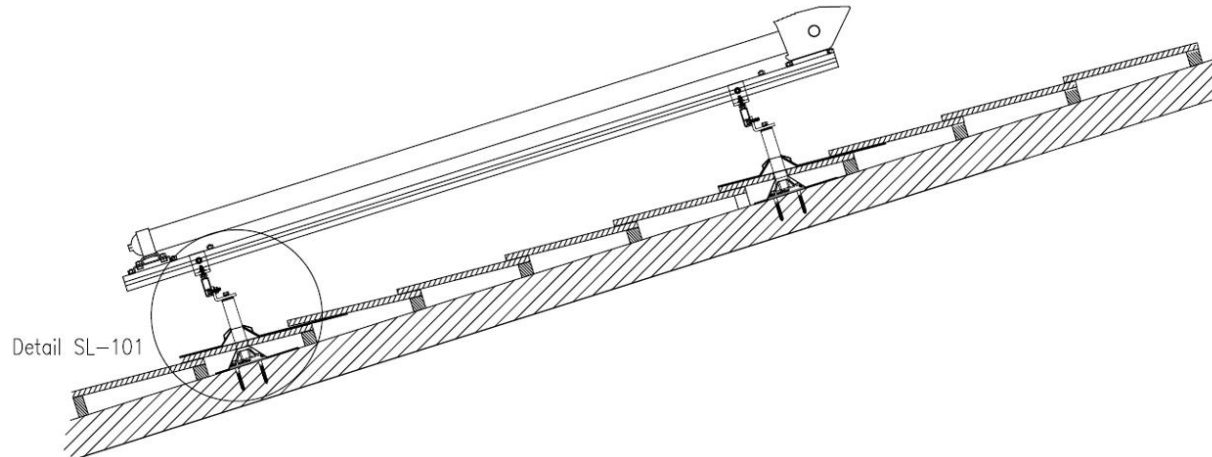
<b>Collector Model</b>	<b>ThermoPower-VHP20 / ThermoPower-VHP30</b>
<b>L-Bracket Mounting Set</b>	<b>ConnectMaxx-UV-AS-LBASEKIT (Asphalt Roof) ConnectMaxx-UV-M-LBASEKIT (Metal Roof)</b>
<b>List of components</b>	<b>Quantity</b>
L-bracket	1
EPDM Washer	1
Flashing	1
Lag bolt	1
3/8" (9.5 mm) Lock Nut	1
<b>Rail L-bracket Mounting Set</b>	<b>ConnectMaxx-UV-CONNECTKIT</b>
<b>List of components</b>	<b>Quantity</b>
L-bracket	1
3/8" (9.5 mm) Bolt	1
3/8" (9.5 mm) Nut	1
3/8" (9.5 mm) Washer	1
1/4" (6 mm) Bolt	1
1/4" (6 mm) Nut	1
1/4" (6 mm) Washer	1

**ConnectMaxx-UV-W-QMUTM-TILE-5IN-V2-BASEKIT**  
**ConnectMaxx-UV-M-QMUTM-TILE-5IN-V2-BASEKIT**

**ConnectMaxx-UV-CONNECTKIT**



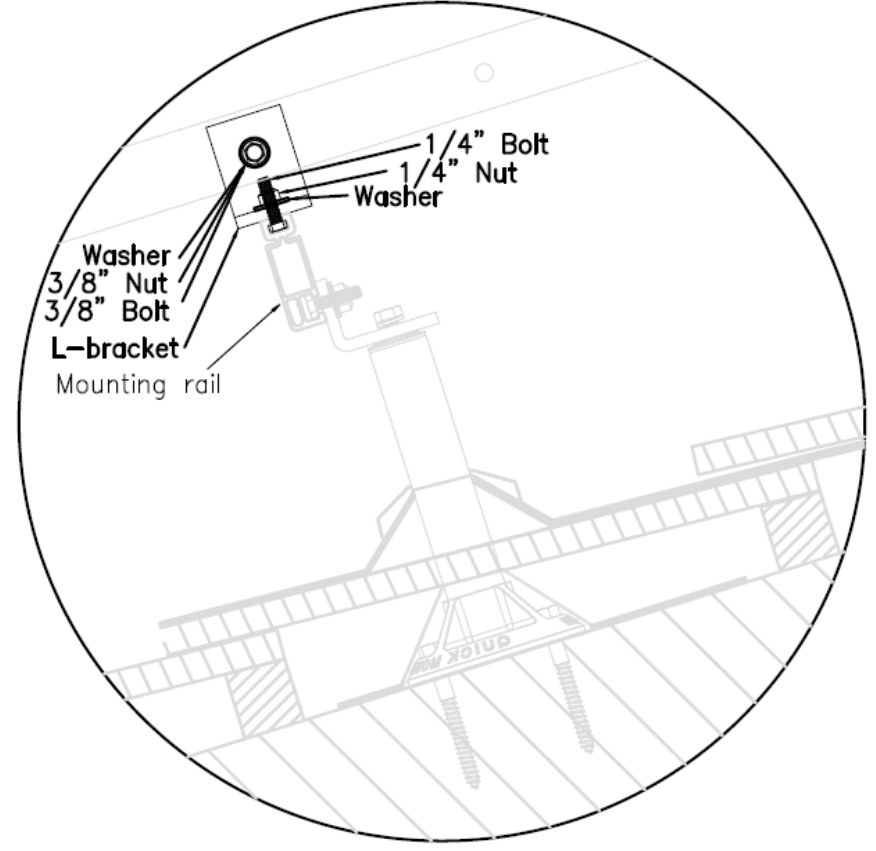
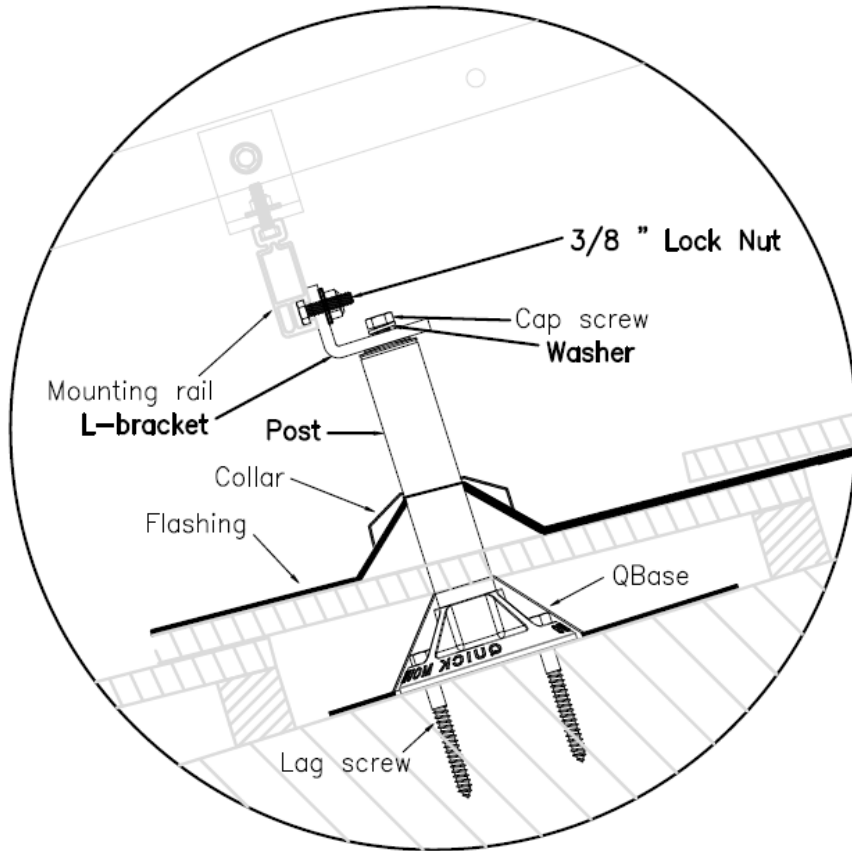
## Tile Roof – Flush Mount



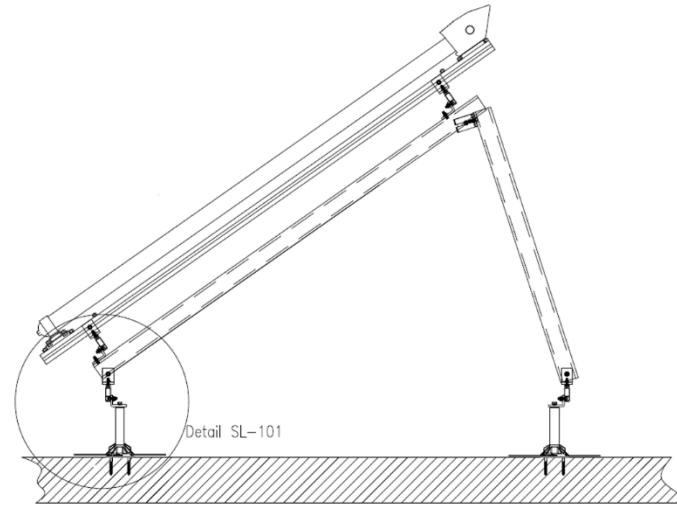
<b>Collector Model</b>	<b>ThermoPower-VHP20 / ThermoPower-VHP30</b>
<b>QBase Mounting Set</b>	<b>ConnectMaxx-UV-W-QMUTM-TILE-5IN-V2-BASEKIT ConnectMaxx-UV-M-QMUTM-TILE-5IN-V2-BASEKIT</b>
<b>List of components</b>	<b>Quantity</b>
QBase:	1
• Cap screw + washer	1
• Flashing + collar	1
• Post	1
L-bracket	1
Lag screw	2
3/8" (9.5 mm) Lock Nut	1
<b>Rail L-bracket Mounting Set</b>	<b>ConnectMaxx-UV-CONNECTKIT</b>
<b>List of components</b>	<b>Quantity</b>
L-bracket	1
3/8" (9.5 mm) Bolt	1
3/8" (9.5 mm) Nut	1
Washer 3/8" (9.5 mm)	1
1/4" (6 mm) Bolt	1
1/4" (6 mm) Nut	1
Washer 1/4" (6 mm)	1

**ConnectMaxx-UV-W-QMUTM-TILE-5IN-V2-BASEKIT**  
**ConnectMaxx-UV-M-QMUTM-TILE-5IN-V2-BASEKIT**

**ConnectMaxx-UV-CONNECTKIT**



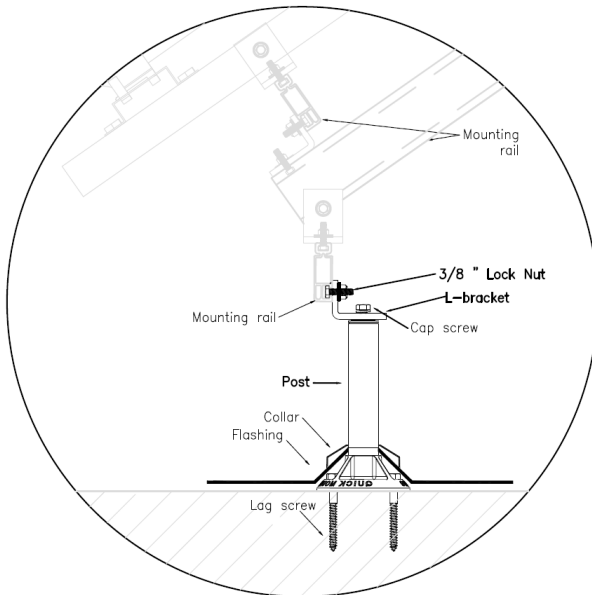
## Wooden / Metal Roof – Standing Position



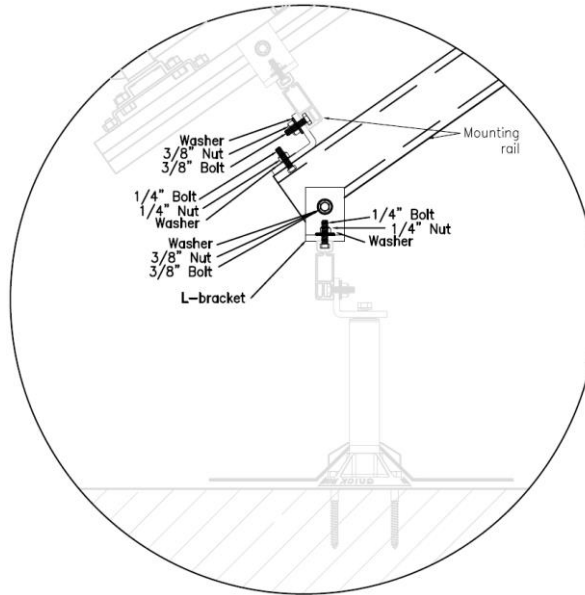
<b>Collector Model</b>	<b>ThermoPower-VHP20 / ThermoPower-VHP30</b>
<b>Standing QBase Mounting Set</b>	<b>ConnectMaxx-UV-W-QMUTM-STAND-5IN-V2 (Wooden Purlin) ConnectMaxx-UV-M-QMUTM-STAND-5IN-V2 (Metal Purlin)</b>
<b>List of components</b>	<b>Quantity</b>
QBase:	2
• Cap screw + washer	2
• Flashing + collar	2
• Post	2
L-bracket	2
Lag screw	4
3/8" (9.5 mm) Lock Nut	2
<b>QBase Frame Set</b>	<b>ConnectMaxx-UV-QMUTM-STAND-AFRAME</b>
<b>List of components</b>	<b>Quantity</b>
Universal A-frame	1
1/4" (6 mm) Bolt	2
1/4" (6 mm) Nut	2
1/4" (6 mm) Washer	2
3/8" (9.5 mm) Lock Nut	2

Rail L-bracket Mounting Set	ConnectMaxx-UV-CONNECTKIT
L-bracket	1
3/8" (9.5 mm) Bolt	1
3/8" (9.5 mm) Nut	1
1/4" (6 mm) Bolt	1
1/4" (6 mm) Nut	1
3/8" (9.5 mm) Washer	1
1/4" (6 mm) Washer	1

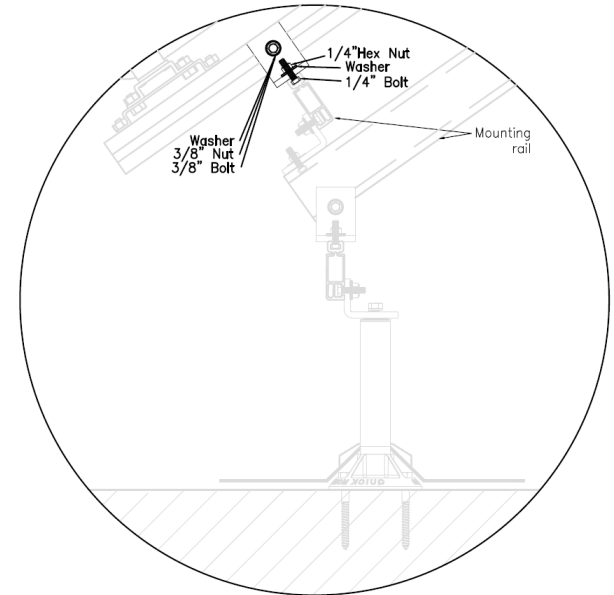
**ConnectMaxx-UV-W-QMUTM-STAND-5IN-V2  
(Wooden Purlin)**  
**ConnectMaxx-UV-M-QMUTM-STAND-5IN-V2  
(Metal Purlin)**



**ConnectMaxx-UV-QMUTM-STAND-AFRAME**



**ConnectMaxx-UV-CONNECTKIT**



		ThermoPower-VHP20*									
		Collector Quantity									
		1	2	3	4	5	6	7	8	9	10
		ConnectMaxx-UV-AS-BASEKIT / ConnectMaxx-UV-W-QMUTM-TILE-5IN-V2-BASEKIT / ConnectMaxx-UV-M-QMUTM-TILE-5IN-V2-BASEKIT Quantity									
Rafter spacing [in]	12	12	24	36	46	58	70	82	94	106	118
	16	8	18	26	36	44	52	62	70	78	88
	20	8	14	22	28	36	42	50	56	64	70
	24	6	12	18	24	30	36	40	46	52	58
	28	6	10	16	20	26	30	36	40	46	50
	32	4	8	14	18	22	26	30	36	40	44
	36	4	8	12	16	20	24	28	32	36	40
		ConnectMaxx-UV-CONNECTKIT Quantity									
		4	8	12	16	20	24	28	32	36	40
		Rail Quantity									
Total Rail length required [in]		140	280	422	562	702	842	982	1124	1264	1404
Single Rail length [in]	132	2	3	4	5	6	7	8	9	10	11
	168	1	2	3	4	5	6	6	7	8	9
	208	1	2	3	3	4	5	5	6	7	7
	240	1	2	2	3	3	4	5	5	6	6
	246	1	2	2	3	3	4	4	5	6	6

\*Table applicable to every type of roof

Rail length (in)/(m)	Product Code
132 / 3.35	ConnectMaxx-PV-Rail-132IN
168 / 4.27	ConnectMaxx-PV-Rail-168IN
208 / 5.28	ConnectMaxx-PV-Rail-208IN
240 / 6.10	ConnectMaxx-PV-Rail-240IN
246 / 6.25	ConnectMaxx-PV-Rail-246IN

ThermoPower-VHP30*											
Collector Quantity											
	1	2	3	4	5	6	7	8	9	10	
ConnectMaxx-UV-AS-BASEKIT / ConnectMaxx-UV-W-QMUTM-TILE-5IN-V2-BASEKIT / ConnectMaxx-UV-M-QMUTM-TILE-5IN-V2-BASEKIT Quantity											
Rafter spacing [in]	12	18	34	52	68	86	102	120	138	154	172
	16	12	26	38	52	64	78	90	102	116	128
	20	10	20	30	42	52	62	72	82	92	102
	24	8	18	26	34	42	52	60	68	78	86
	28	8	14	22	30	36	44	52	58	66	74
	32	6	12	20	26	32	38	46	52	58	64
	36	6	12	18	22	28	34	40	46	52	58
ConnectMaxx-UV-CONNECTKIT Quantity											
	4	8	12	16	20	24	28	32	36	40	
Rail Quantity											
Total Rail length required [in]	206	412	618	824	1030	1234	1440	1646	1852	2058	
Single Rail length [in]	132	2	4	5	7	8	10	11	13	15	16
	168	2	3	4	5	7	8	9	10	12	13
	208	1	2	3	4	5	6	7	8	9	10
	240	1	2	3	4	5	6	6	7	8	9
	246	1	2	3	4	5	6	6	7	8	9

\*Table applicable to every type of roof

Rail length (in)/(m)	Product Code
132 / 3.35	ConnectMaxx-PV-Rail-132IN
168 / 4.27	ConnectMaxx-PV-Rail-168IN
208 / 5.28	ConnectMaxx-PV-Rail-208IN
240 / 6.10	ConnectMaxx-PV-Rail-240IN
246 / 6.25	ConnectMaxx-PV-Rail-246IN

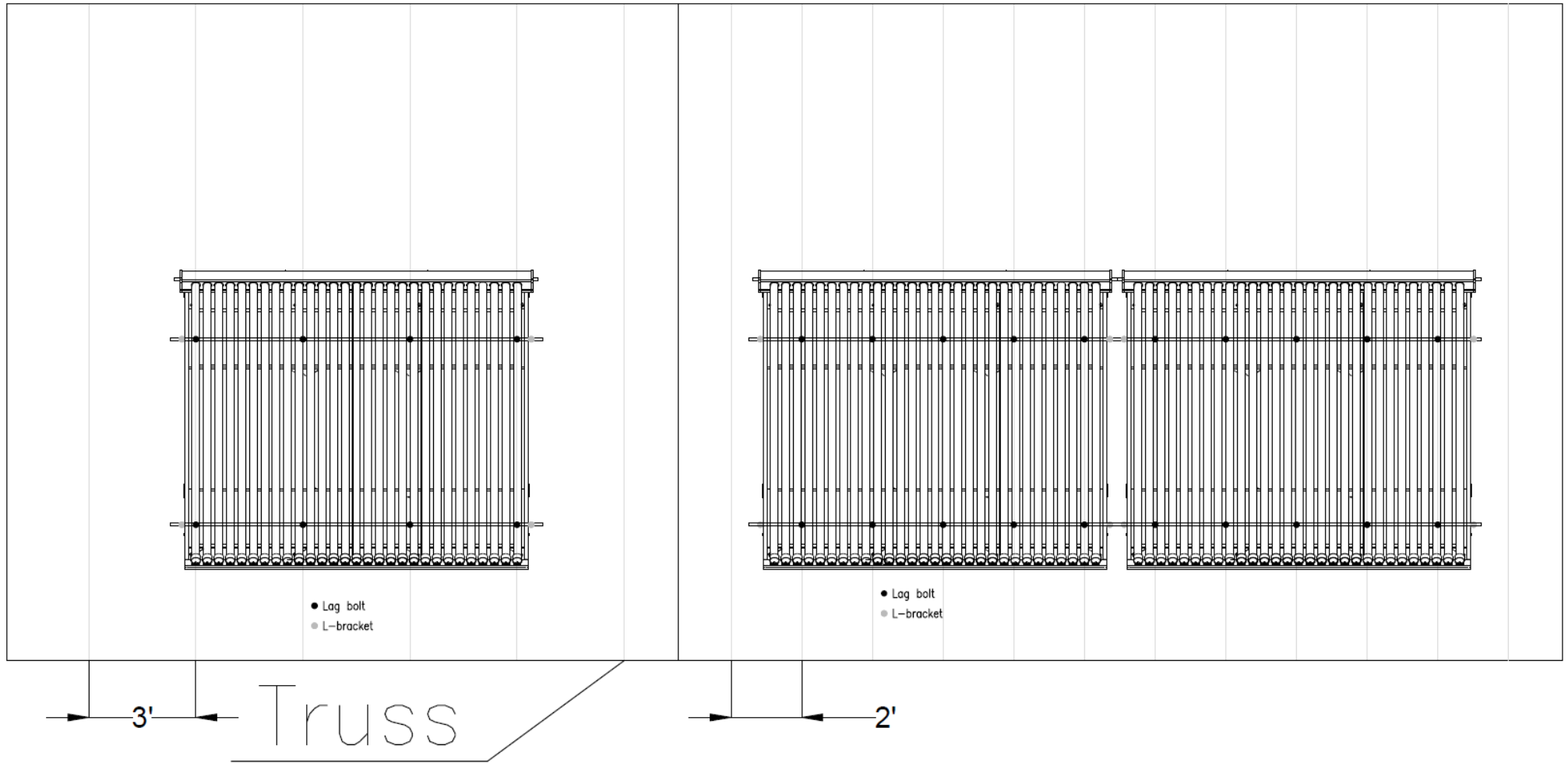
		ThermoPower-VHP20 - standing position									
		Collector Quantity									
		1	2	3	4	5	6	7	8	9	10
		ConnectMaxx-UV-W-QMUTM-STAND-5IN-V2 / ConnectMaxx-UV-M-QMUTM-STAND-5IN-V2 Quantity									
Rafter spacing [in]	12	6	12	18	23	29	35	41	47	53	59
	16	4	9	13	18	22	26	31	35	39	44
	20	4	7	11	14	18	21	25	28	32	35
	24	3	6	9	12	15	18	20	23	26	29
	28	3	5	8	10	13	15	18	20	23	25
	32	2	4	7	9	11	13	15	18	20	22
	36	2	4	6	8	10	12	14	16	18	20
		ConnectMaxx-UV-CONNECTKIT Quantity									
		4	8	12	16	20	24	28	32	36	40
		Rail Quantity									
Total Rail length required [in]		280	560	844	1124	1404	1684	1964	2248	2528	2808
Single Rail length [in]	132	3	5	7	9	11	13	15	18	20	22
	168	2	4	6	7	9	11	12	14	16	17
	208	2	3	5	6	7	9	10	11	13	14
	240	2	3	4	5	6	8	9	10	11	12
	246	2	3	4	5	6	7	8	10	11	12

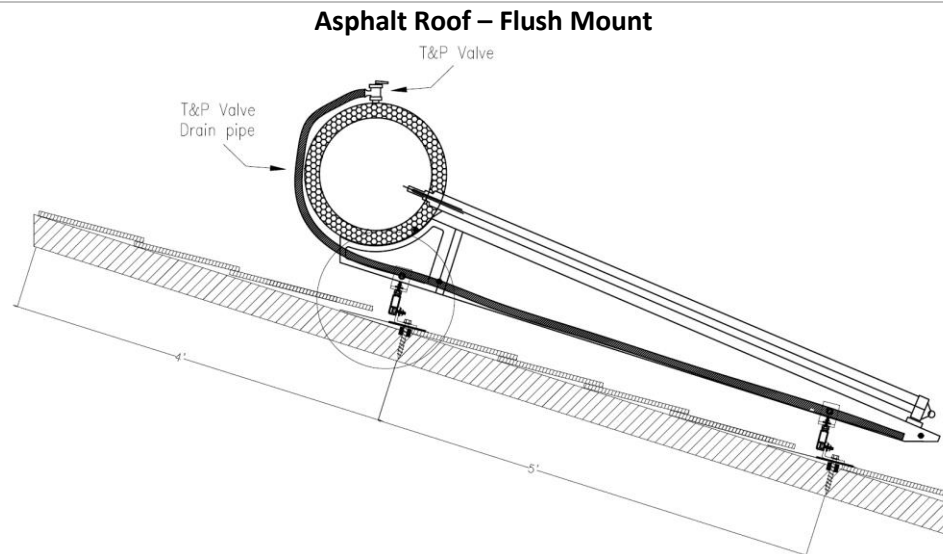
Rail length (in)/(m)	Product Code
132 / 3.35	ConnectMaxx-PV-Rail-132IN
168 / 4.27	ConnectMaxx-PV-Rail-168IN
208 / 5.28	ConnectMaxx-PV-Rail-208IN
240 / 6.10	ConnectMaxx-PV-Rail-240IN
246 / 6.25	ConnectMaxx-PV-Rail-246IN

		ThermoPower-VHP30 - standing position									
		Collector Quantity									
		1	2	3	4	5	6	7	8	9	10
		ConnectMaxx-UV-W-QMUTM-STAND-5IN-V2 / ConnectMaxx-UV-M-QMUTM-STAND-5IN-V2 Quantity									
Rafter spacing [in]	12	9	18	26	35	43	52	61	69	78	86
	16	7	13	20	26	33	39	46	52	58	65
	20	6	11	16	21	26	31	37	42	47	52
	24	5	9	13	18	22	26	31	35	39	43
	28	4	8	12	15	19	23	26	30	34	37
	32	4	7	10	13	17	20	23	26	29	33
	36	3	6	9	12	15	18	21	23	26	29
		ConnectMaxx-UV-CONNECTKIT Quantity									
		4	8	12	16	20	24	28	32	36	40
		Rail Quantity									
Total Rail length required [in]		412	824	1236	1648	2060	2468	2880	3292	3704	4116
Single Rail length [in]	132	4	7	10	13	16	19	22	25	29	32
	168	3	5	8	10	13	15	18	20	23	25
	208	2	4	6	8	10	12	14	16	18	20
	240	2	4	6	7	9	11	12	14	16	18
	246	2	4	6	7	9	11	12	14	16	17

Rail length (in)/(m)	Product Code
132 / 3.35	ConnectMaxx-PV-Rail-132IN
168 / 4.27	ConnectMaxx-PV-Rail-168IN
208 / 5.28	ConnectMaxx-PV-Rail-208IN
240 / 6.10	ConnectMaxx-PV-Rail-240IN
246 / 6.25	ConnectMaxx-PV-Rail-246IN

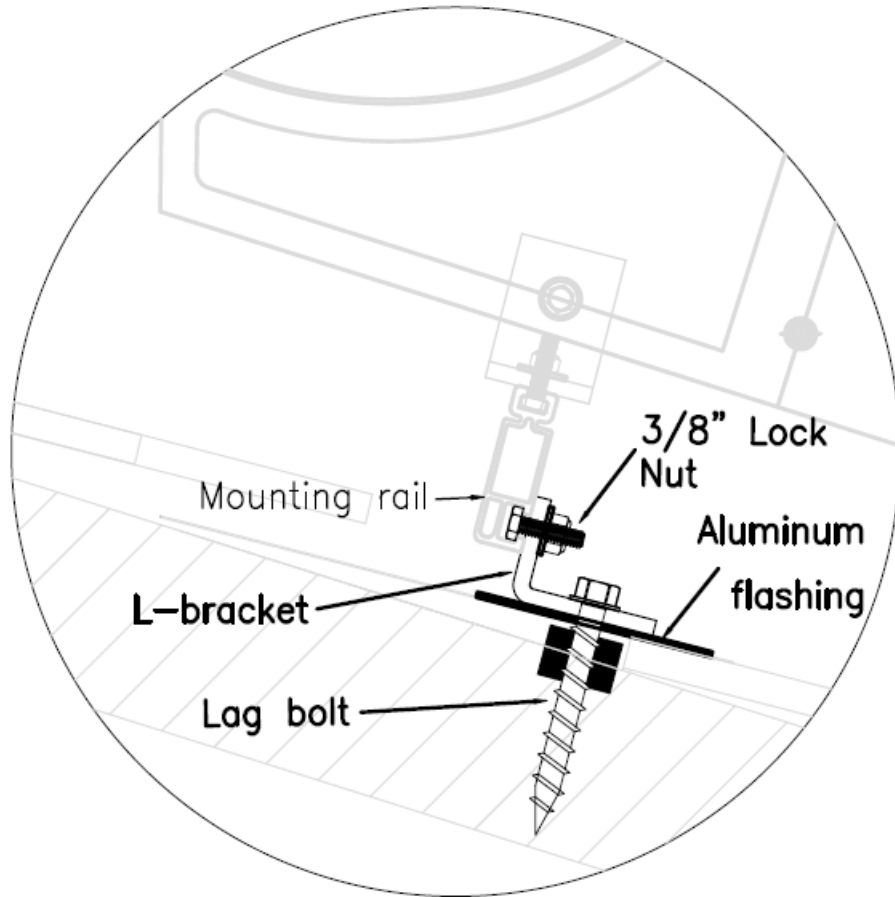
## ThermoPower-VDF30 mounting based on rafter spacing – example



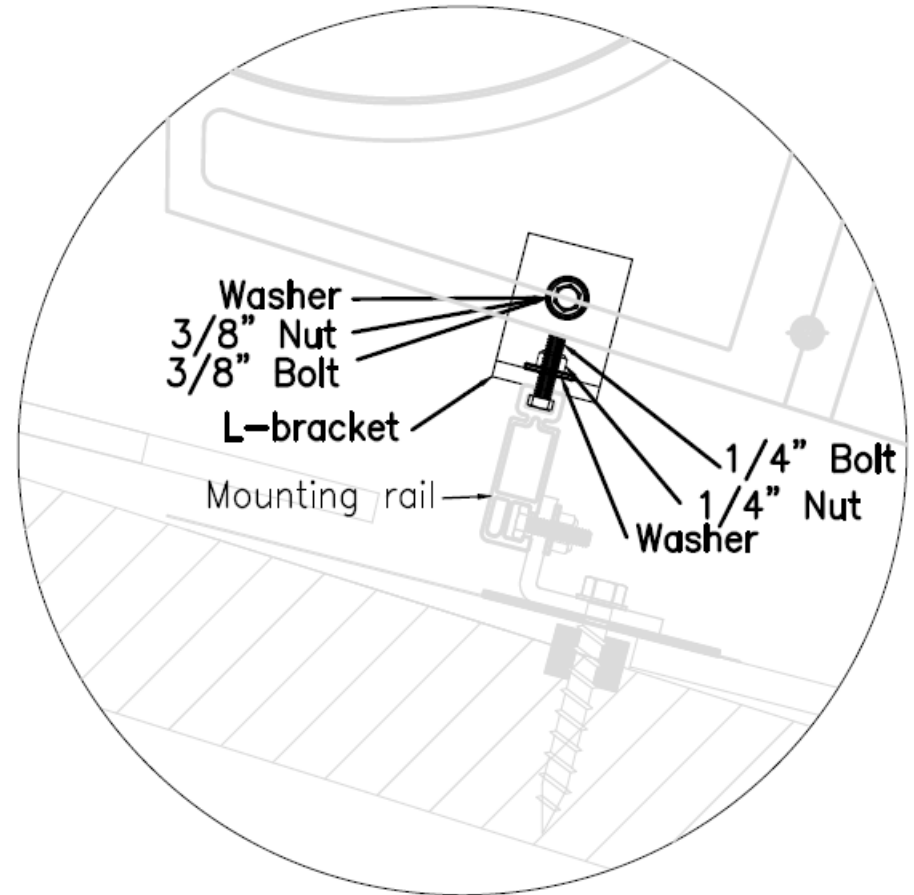


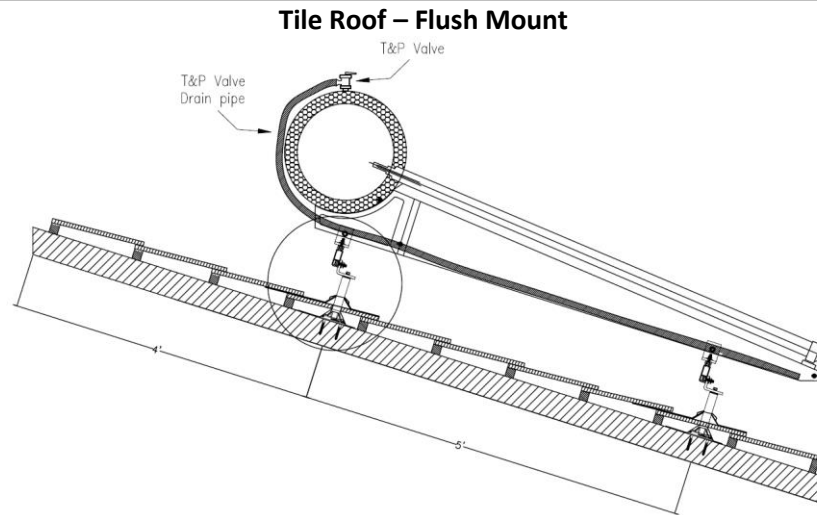
Collector Models	ThermoPower-VTS-HP15-G / ThermoPower-VTS-HP30-G
<b>L-Bracket Mounting Set</b>	<b>ConnectMaxx-UV-AS-LBASEKIT (Asphalt Roof)</b> <b>ConnectMaxx-UV-M-LBASEKIT (Metal Roof)</b>
<b>List of components</b>	<b>Quantity</b>
L-bracket	1
EPDM Washer	1
Flashing	1
Lag bolt	1
3/8" (9.5 mm) Bolt	1
3/8" (9.5 mm) Nut	1
Washer 3/8" (9.5 mm)	1
<b>Rail L-bracket Mounting Set</b>	<b>ConnectMaxx-UV-CONNECTKIT</b>
L-bracket	1
3/8" (9.5 mm) Bolt	1
3/8" (9.5 mm) Nut	1
1/4" (6 mm) Bolt	1
1/4" (6 mm) Nut	1
3/8" (9.5 mm) Washer	1
1/4" (6 mm) Washer	1

**ConnectMaxx-UV-AS-LBASEKIT (Asphalt Roof)**  
**ConnectMaxx-UV-M-LBASEKIT (Metal Roof)**



**ConnectMaxx-UV-CONNECTKIT**

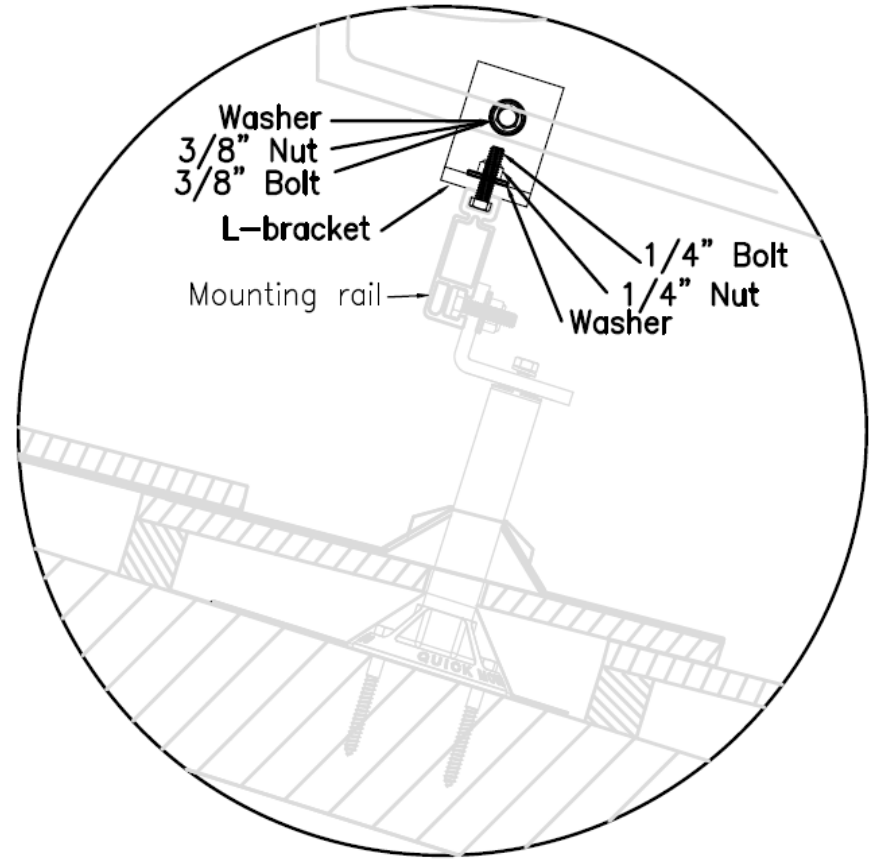
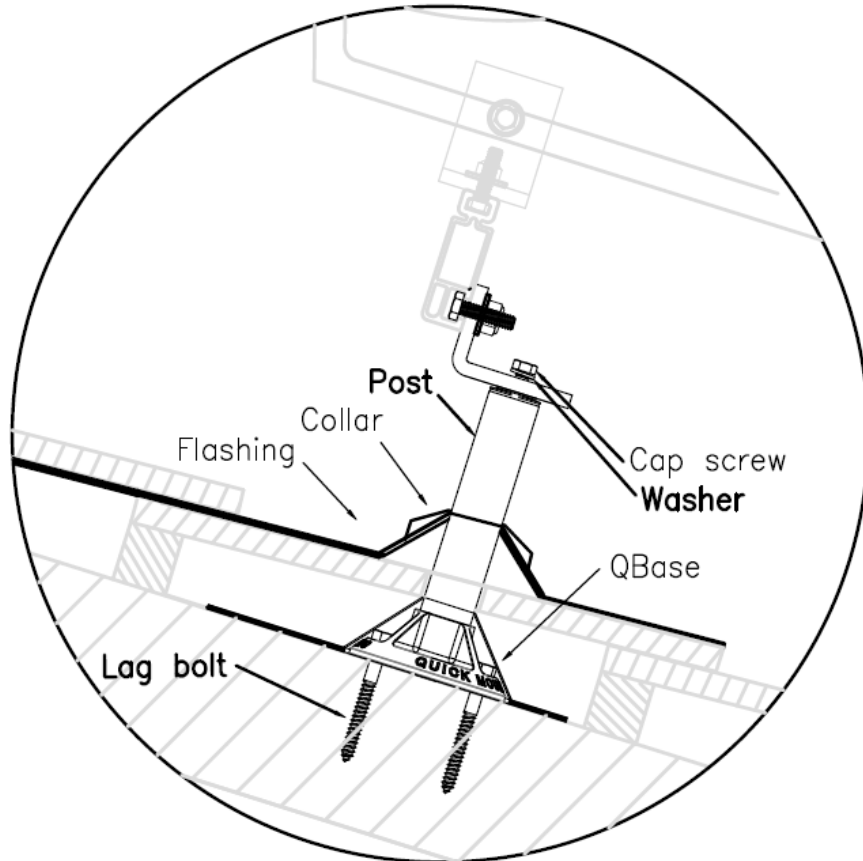




<b>Collector Models</b>	<b>ThermoPower-VTS-HP15-G / ThermoPower-VTS-HP30-G</b>
<b>QBase Mounting Set</b>	<b>ConnectMaxx-UV-W-QMUTM-TILE-5IN-V2-BASEKIT ConnectMaxx-UV-M-QMUTM-TILE-5IN-V2-BASEKIT</b>
<b>List of components</b>	<b>Quantity</b>
QBase:	1
• Cap screw + washer	1
• Flashing + collar	1
• Post	1
L-bracket	1
Lag screw	2
3/8" (9.5 mm) Lock Nut	1
3/8" (9.5 mm) Washer	1
<b>Rail L-bracket Mounting Set</b>	<b>ConnectMaxx-UV-CONNECTKIT</b>
L-bracket	1
3/8" (9.5 mm) Bolt	1
3/8" (9.5 mm) Nut	1
1/4" (6 mm) Bolt	1
1/4" (6 mm) Nut	1
3/8" (9.5 mm) Washer	1
1/4" (6 mm) Washer	1

**ConnectMaxx-UV-W-QMUTM-TILE-5IN-V2-BASEKIT**  
**ConnectMaxx-UV-M-QMUTM-TILE-5IN-V2-BASEKIT**

**ConnectMaxx-UV-CONNECTKIT**



		ThermoPower-VTS15*									
		Collector Quantity									
		1	2	3	4	5	6	7	8	9	10
		ConnectMaxx-UV-AS-BASEKIT / ConnectMaxx-UV-W-QMUTM-TILE-5IN-V2-BASEKIT / ConnectMaxx-UV-M-QMUTM-TILE-5IN-V2-BASEKIT Quantity									
Rafter spacing [in]	12	10	20	30	40	50	60	70	80	90	100
	16	8	16	24	30	38	46	54	60	68	76
	20	6	12	18	24	30	36	42	48	54	60
	24	6	10	16	20	26	30	36	40	46	50
	28	6	10	14	18	22	26	30	36	40	44
	32	4	8	12	16	20	24	28	30	34	38
	36	4	8	10	14	18	20	24	28	30	34
		ConnectMaxx-UV-CONNECTKIT Quantity									
		4	8	12	16	20	24	28	32	36	40
		Rail Quantity									
Total Rail length required [in]		120	240	360	480	600	720	840	960	1080	1200
Single Rail length [in]	132	1	2	3	4	5	6	7	8	9	10
	168	1	2	3	3	4	5	5	6	7	8
	208	1	2	2	3	3	4	5	5	6	6
	240	1	1	2	2	3	3	4	4	5	5
	246	1	1	2	2	3	3	4	4	5	5

\*Table applicable to every type of roof

Rail length (in)/(m)	Product Code
132 / 3.35	ConnectMaxx-PV-Rail-132IN
168 / 4.27	ConnectMaxx-PV-Rail-168IN
208 / 5.28	ConnectMaxx-PV-Rail-208IN
240 / 6.10	ConnectMaxx-PV-Rail-240IN
246 / 6.25	ConnectMaxx-PV-Rail-246IN

		ThermoPower-VTS30*									
		Collector Quantity									
		1	2	3	4	5	6	7	8	9	10
		ConnectMaxx-UV-AS-BASEKIT / ConnectMaxx-UV-W-QMUTM-TILE-5IN-V2-BASEKIT / ConnectMaxx-UV-M-QMUTM-TILE-5IN-V2-BASEKIT Quantity									
Rafter spacing [in]	12	18	36	54	72	90	110	128	146	164	182
	16	14	28	40	54	68	82	96	110	122	136
	20	10	22	32	44	54	66	76	88	98	110
	24	10	18	28	36	46	54	64	72	82	90
	28	8	16	24	32	38	46	54	62	70	78
	32	6	14	20	28	34	40	48	54	62	68
	36	6	12	18	24	30	36	42	48	54	60
		ConnectMaxx-ThermoPower-CONNECTKIT Quantity									
		4	8	12	16	20	24	28	32	36	40
		Rail Quantity									
Total Rail length required [in]		218	436	654	872	1090	1308	1526	1744	1962	2180
Single Rail length [in]	132	2	4	5	7	9	10	12	14	15	17
	168	2	3	4	6	7	8	10	11	12	13
	208	2	3	4	5	6	7	8	9	10	11
	240	1	2	3	4	5	6	7	8	9	10
	246	1	2	3	4	5	6	7	8	8	9

\*Table applicable to every type of roof

Rail length (in)/(m)	Product Code
132 / 3.35	ConnectMaxx-PV-Rail-132IN
168 / 4.27	ConnectMaxx-PV-Rail-168IN
208 / 5.28	ConnectMaxx-PV-Rail-208IN
240 / 6.10	ConnectMaxx-PV-Rail-240IN
246 / 6.25	ConnectMaxx-PV-Rail-246IN