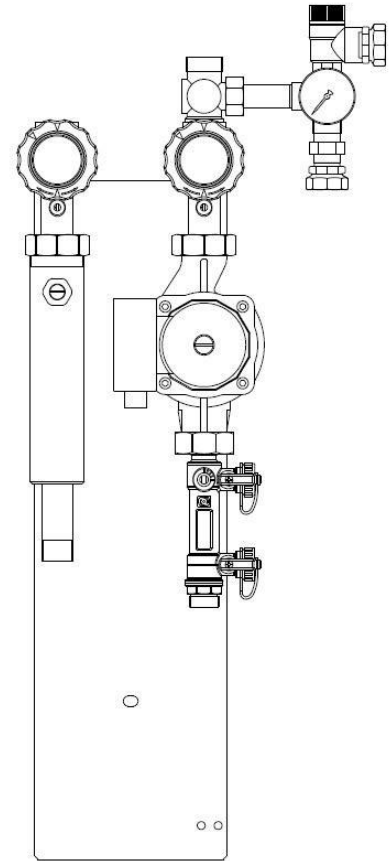


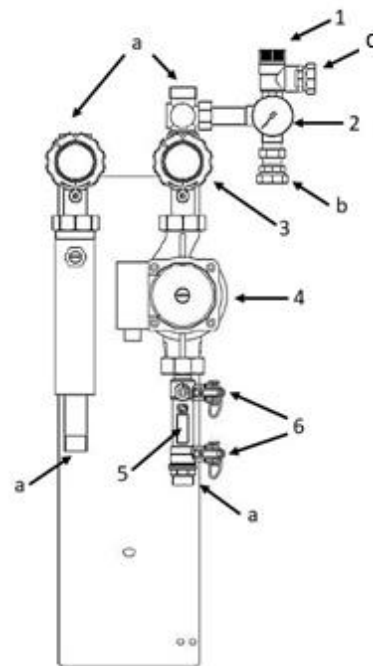
Technical Details	
<b>Model:</b>	<b>UniMaxx-PLUS-SC500-AC-V3</b>
<b>Height with insulation (in)/(mm)</b>	18.66/474
<b>Width with insulation (in)/(mm)</b>	12.13/308.1
<b>Distance Axis/Wall (in)/(mm)</b>	3.94/100.1
<b>Circulation Pump</b>	WILO Star S30 U-25-180 (1/10 HP)
<b>Pipe Connections</b>	¾" Compression
<b>Max. Admissible Pressure (psi)/bar</b>	145/10
<b>Safety Valve (psi)/bar</b>	87/6
<b>Pressure Gauge (psi)/bar</b>	0-87/0-6
<b>Spring Pressure of Non-Return Valve</b>	2 x 0.66' head = 1.32' head
<b>Temperature Gauges (°F)/(°C)</b>	32-320/0-160
<b>Flowmeter (depending on version) (gpm) / (lpm)</b>	1 – 10/3.8 – 37.9
<b>Fittings</b>	Brass
<b>Permissible temperature range (°F)/(°C)</b>	14 – 230/-10 – 110
<b>Mains connection</b>	115/120 V, 60 Hz
<b>Protection class</b>	IP 44
<b>Threaded connection</b>	Rp ½ and Rp 1
<b>Max. operating pressure (psi)/bar</b>	145/10
<b>Power consumption (HP)</b>	1/10 HP
<b>Max Amperage (A)</b>	1.5
<b>Insulation</b>	EPP, l = 0,041 W/(m*K); max. 120°C continuous; and 180°C intermittent
Materials	
<b>Pump housing</b>	Grey cast iron
<b>Impeller</b>	Polypropylene
<b>Shaft</b>	Stainless steel insulation EPP
<b>Fittings</b>	Brass
<b>Seals</b>	Viton/Teflon
<b>Bearing</b>	Carbon



### Certifications & Standards

- ✓ U.S.Green Building Council Membership
- ✓ ISES Certification
- ✓ ASES Certification
- ✓ Colorado Solar Energy Association

List of components	
1) Pressure relief valve	
2) Pressure gauge (145 psi / 10 bar)	
3) Ball valve with temperature gauge in the return (320°F / 160°C)	
4) Solar pump - UNIMAXX-PLUS-SC-S30-R	
5) Flowmeter	
6) Drain Valves (Filling/Flushing Port)	
7) Ball valve with temperature gauge in the supply (320°F / 160°C)	
List of connections	
a) Brass Compression Fittings - UNIMAXX-PLUS-SC-500-ADPT-3/4IN-CF (or 1IN-CF)	
b) Expansion Tank Fittings 3/4IN G-NPT - XMaxx-HW-BUSHING-3/4IN-3/4IN-G-NPT	
c) Quick Connect fittings – FlowMaxx-A-3/4IN-3/4IN-PF-M	



Below, the pressure drop characteristic of UNIMAXX-PLUS-SC-S30-R solar pump, which is the heart of the solar hot water pumping system, is presented:

