



Technical Details	
<b>Model</b>	<b>ThermoPower™ VTS HP G Series</b>
<b>Tube Length (in)/(mm)</b>	70.86/1800
<b>Tube Diameter (in)/(mm)</b>	2.28 / 58
<b>Inner Tank Material</b>	Stainless Steel SU316, 1.2mm
<b>Outer Tank Material</b>	Powder-coated, UV-resistant
<b>Insulation Material</b>	PUF 55mm
<b>Frame Material</b>	Aluminum Alloy
<b>Flow Rate per Tube (gpm/lpm)</b>	0.02/0.0757
<b>Operating Pressure (psi)/(bar)</b>	58 / 4
<b>Maximum Pressure (psi)/(bar)</b>	97/6.68
<b>Max Operating Temp (°F/°C)</b>	194 / 90
<b>Fittings</b>	3/4" Female NPT

**Certifications & Listings**

- ✓ SRCC OG-100
- ✓ ESEC UL 1703
- ✓ ASHRAE Std 93-1986
- ✓ ASTM E 330 (Wind Load Rating)
- ✓ 10 years warranty

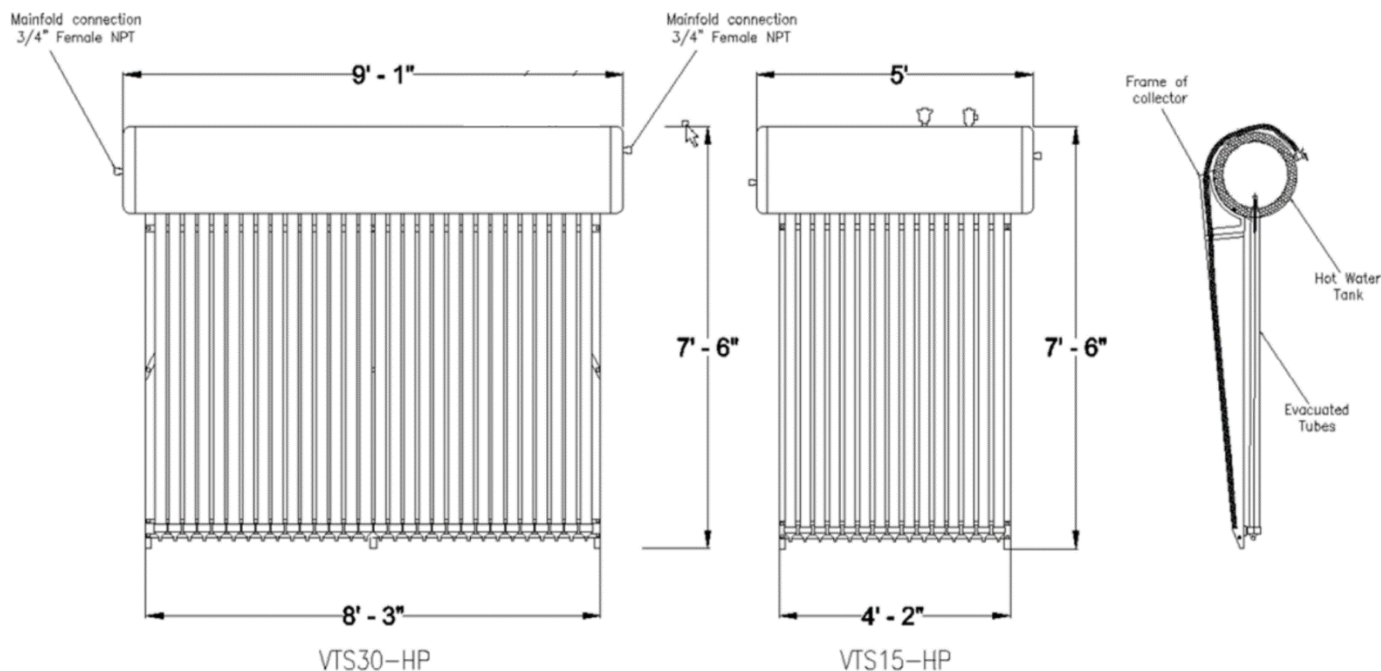
Technical Details		
Model	ThermoPower™-VTS-HP15-G	ThermoPower™-VTS-HP30-G
<b>Dimensions with tank (in)/(m)</b>	60.0 x 90 / 1.52 x 2.29	109 x 90 / 2.77 x 2.29
<b>Gross Area (ft<sup>2</sup>/m<sup>2</sup>)</b>	24.46 / 2.272	47.9 / 4.45
<b>Dry Weight (lbs/kg)</b>	143.3 / 65	198.4 / 90
<b>Filled Weight (lbs/kg)</b>	474 / 215	859.8 / 390
<b>Fluid Capacity (gal/L)</b>	39.6 / 150	79.3 / 300
<b>SRCC CERTIFICATION #</b>	10002055	10002056

ThermoPower™ VTS-HP15-G THERMAL PERFORMANCE RATING							
Kilowatt-hours (thermal) Per Panel Per Day				Thousands of Btu Per Panel Per Day			
Climate ->	High Radiation (6.3 kWh/m <sup>2</sup> .day)	Medium Radiation (4.7 kWh/m <sup>2</sup> .day)	Low Radiation (3.1 kWh/m <sup>2</sup> .day)	Climate ->	High Radiation (2000 Btu/ft <sup>2</sup> .day)	Medium Radiation (1500 Btu/ft <sup>2</sup> .day)	Low Radiation (1000 Btu/ft <sup>2</sup> .day)
Category (Ti-Ta)				Category (Ti-Ta)			
A (-5 °C)	6.4	4.9	3.5	A (-9 °F)	21.8	16.7	11.9
B (5 °C)	5.8	4.3	2.8	B (9 °F)	19.8	14.7	9.6
C (20 °C)	4.9	3.4	1.9	C (36 °F)	16.7	11.6	6.5
D (50 °C)	3.0	1.5	0.0	D (90 °F)	10.2	5.1	0.0
E (80 °C)	1.1	0.0	0.0	E (144 °F)	3.8	0.0	0.0

A- Pool Heating (Warm Climate) B- Pool Heating (Cool Climate) C- Water Heating (Warm Climate) D- Space & Water Heating (Cool Climate) E- Commercial Hot Water & Cooling

ThermoPower™ VTS-HP30-G THERMAL PERFORMANCE RATING							
Kilowatt-hours (thermal) Per Panel Per Day				Thousands of Btu Per Panel Per Day			
Climate ->	High Radiation (6.3 kWh/m <sup>2</sup> .day)	Medium Radiation (4.7 kWh/m <sup>2</sup> .day)	Low Radiation (3.1 kWh/m <sup>2</sup> .day)	Climate ->	High Radiation (2000 Btu/ft <sup>2</sup> .day)	Medium Radiation (1500 Btu/ft <sup>2</sup> .day)	Low Radiation (1000 Btu/ft <sup>2</sup> .day)
Category (Ti-Ta)				Category (Ti-Ta)			
A (-5 °C)	12.6	9.7	6.8	A (-9 °F)	43.0	33.1	23.2
B (5 °C)	11.2	8.5	5.6	B (9 °F)	38.6	29.0	19.1
C (20 °C)	9.5	6.6	3.7	C (36 °F)	32.4	22.5	12.6
D (50 °C)	5.7	2.9	0.0	D (90 °F)	19.4	9.9	0.0
E (80 °C)	2.0	0.0	0.0	E (144 °F)	6.8	0.0	0.0

A- Pool Heating (Warm Climate) B- Pool Heating (Cool Climate) C- Water Heating (Warm Climate) D- Space & Water Heating (Cool Climate) E- Commercial Hot Water & Cooling



**Additional information:**

The parts included with the basic product:

- Automatic Re-seating Temperature & Pressure Relief Valve
- The basic frame for the VTS collector (basic powder coated black frame)
- Automatic air vent valve
- Heat pipes inserted into the evacuated tubes
- Tank assembly

If you are looking for a complete kit, please contact our team to prepare the complete kit including components required for system tie-in, drainpipe, expansion tank, and specific mounting hardware.

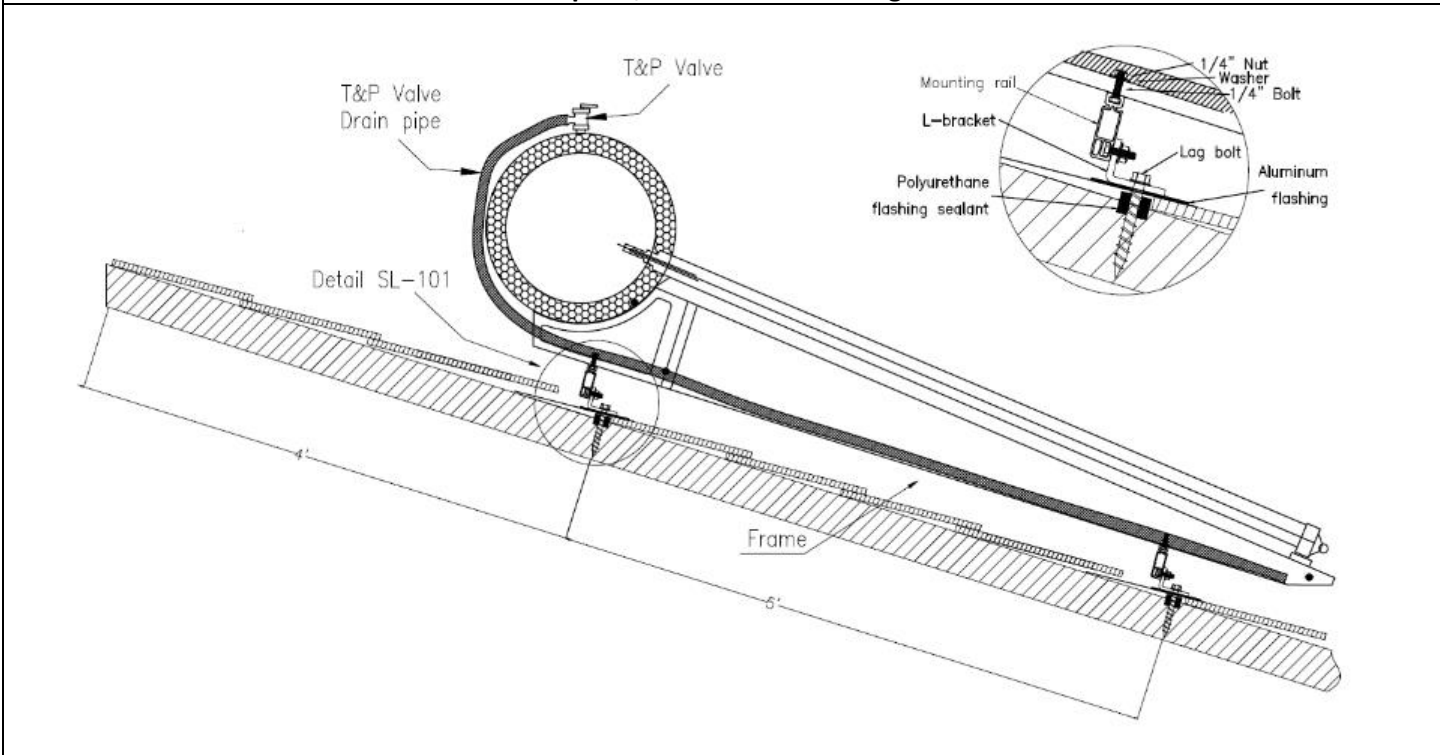
The replacement glass tube size is 58/1800 (diameter x length in mm) with 14 mm heat pipes. The heat pipes are manufactured by Sunmaxx Solar<sup>™</sup>. Important information – using other heat pipes will cancel the warranty.

There is no coil inside the tank. The heat pipes are not in direct contact with the fluid. There is a socket in the tank where heat pipes are inserted. Heat is transferred through this metal socket, which provides a double-wall penetration between the heat pipe fluid and the fluid.

**Extra parts not included in the box (bought separately):**

- Mounting hardware - mounting depends on the roof type, please use our online calculators, or contact us to determine the necessary additional hardware.
- Expansion tank - expansion tank is sized based on customer site location and code requirements. Please contact us for sizing and set the correct pressure ratings.

**Asphalt/Metal roof mounting**



**Tile roof mounting**

